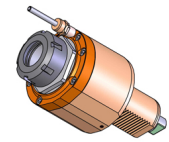


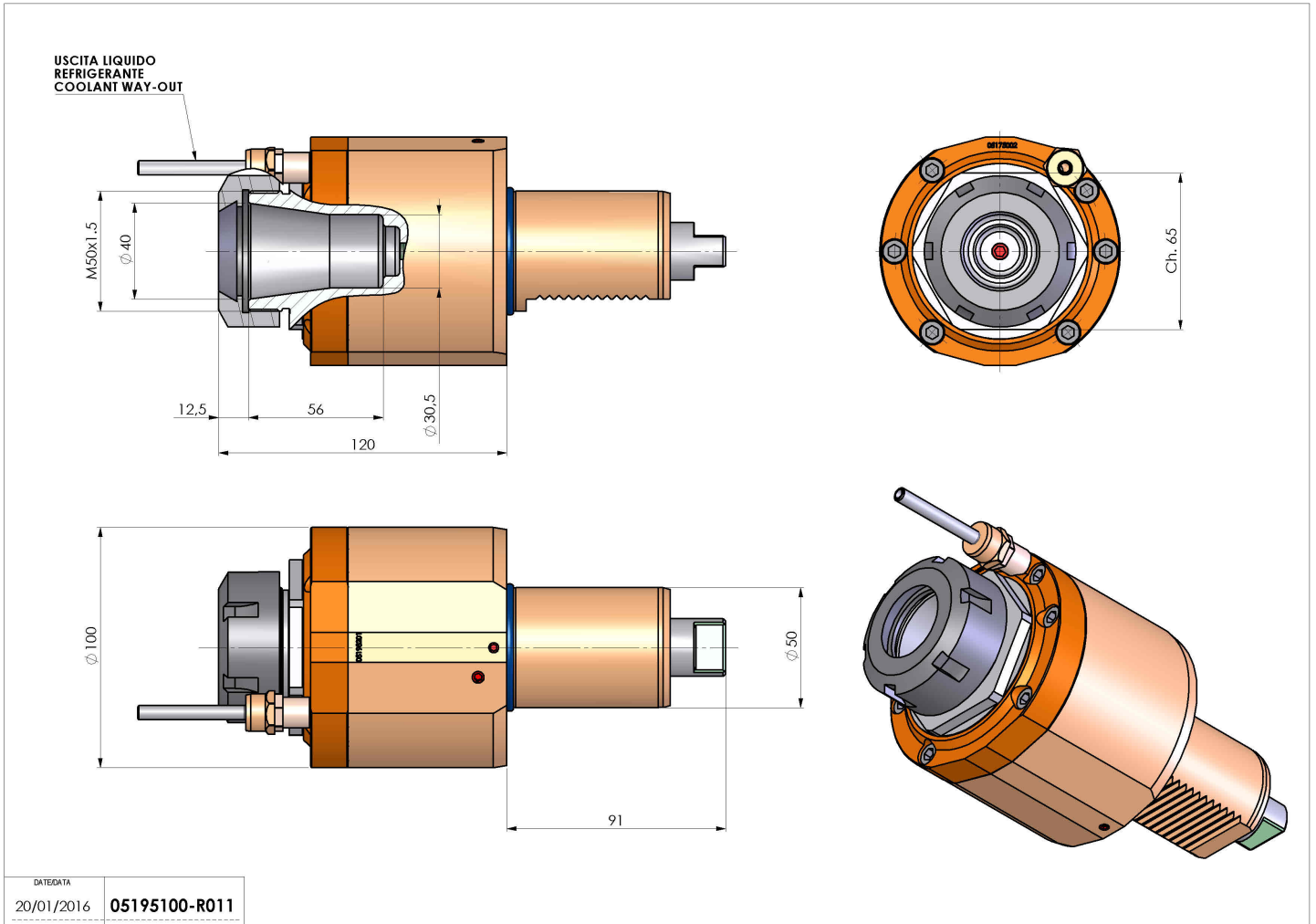
05195100 - LT-S VDI50 ER40 H120 1809 DP

Type	LT-S Tool holder straight
Mounting	VDI 50
Tool output	Collet nut ER 40
Coolant	External coolant
Direction of rotation	r1 r2
Max speed [rpm]	6000
Max torque [Nm]	120
Ratio	1:1
H [mm]	120
Accessories	
Notes	N.A.
Mounting tips	N.A.



ATTENTION: CHECK THE ORIENTATION OF THE VDI TEETH

Always check live tool dimensions on the turret



DATE/DATA	20/01/2016
PART NUMBER	05195100-R011

Subject to technical changes