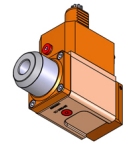


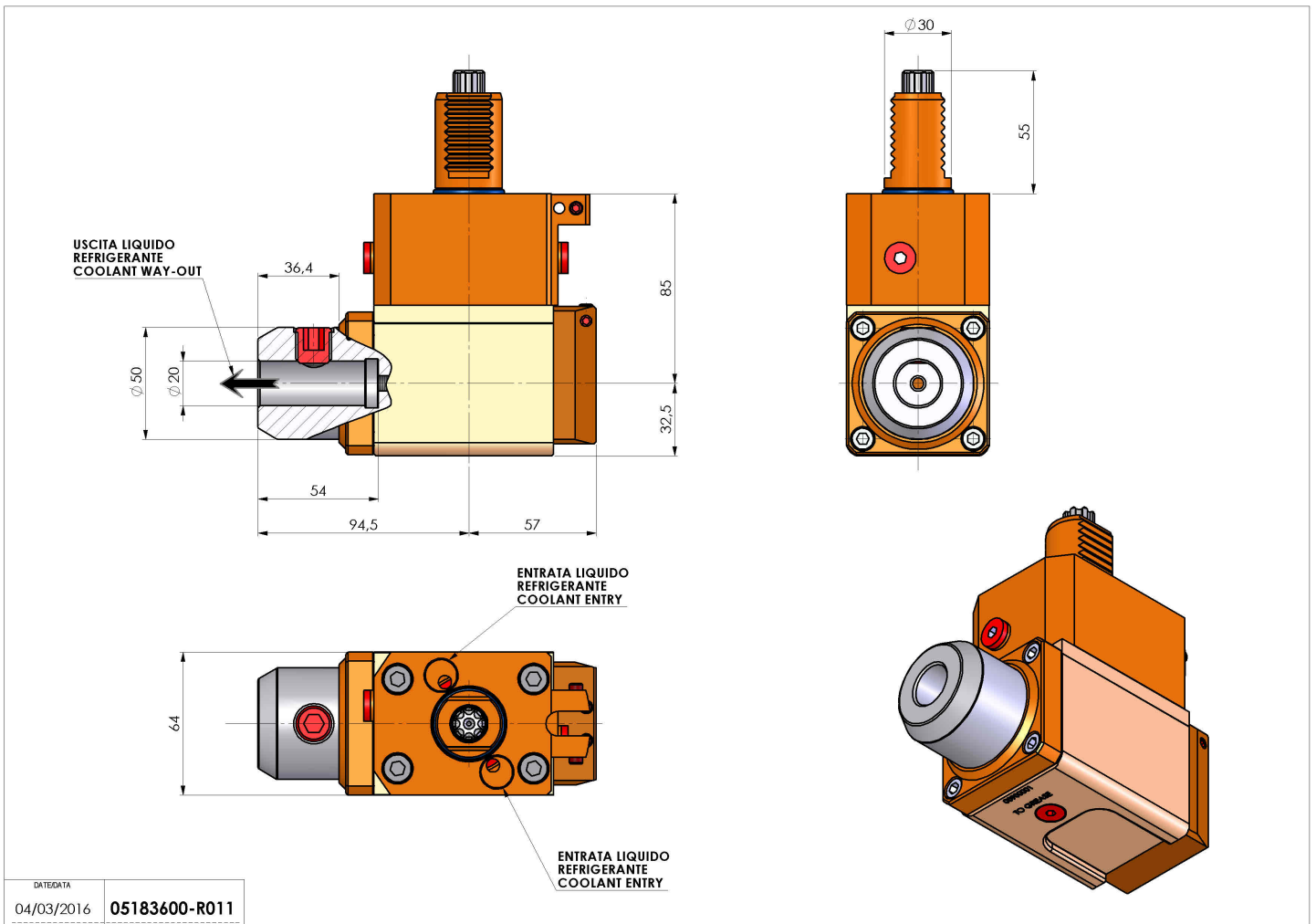
05183600 - LT-A VDI30WELDON20RFLRH85 5482

| | |
|-----------------------|-------------------------------|
| Type | LT-A Tool holder angle 90° |
| Mounting | VDI 30 |
| Tool output | Weldon 20 DIN1835B |
| Coolant | Internal coolant |
| Direction of rotation | r1 ↻ r2 ↻ |
| Max speed [rpm] | 6000 |
| Max torque [Nm] | 30 |
| Ratio | 1:1 |
| H [mm] | 85 |
| H1 [mm] | 32,5 |
| Max pressure [bar] | 20 |
| Accessories | N.A. |
| Notes | N.A. |
| Mounting tips | N.A. |



ATTENTION: CHECK THE ORIENTATION OF THE VDI TEETH

Always check live tool dimensions on the turret



| | |
|---------------|------------|
| DATE/DATE | 04/03/2016 |
| 05183600-R011 | |

Subject to technical changes