

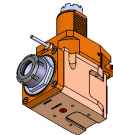


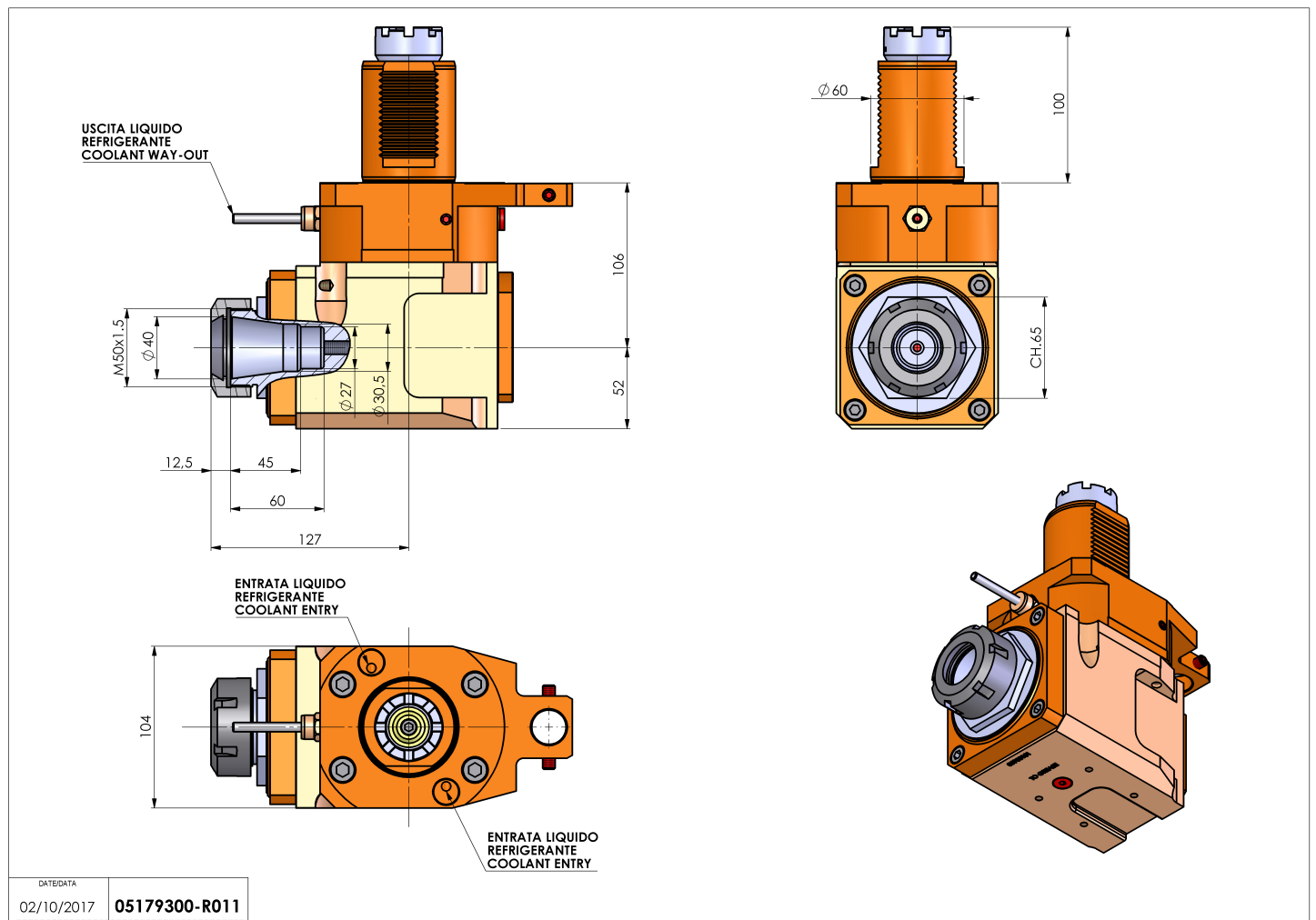
05179300 - LT-A VDI60 ER40 LR H106

Type	LT-A Tool holder angle 90°
Mounting	VDI 60
Tool output	Collet nut ER 40
Coolant	External coolant
Direction of rotation	r1  r2 
Max speed [rpm]	4000
Max torque [Nm]	120
Ratio	1:1
H [mm]	106
H1 [mm]	52
Accessories	N.A.
Notes	N.A.
Mounting tips	N.A.



ATTENTION: CHECK THE ORIENTATION OF THE VDI TEETH

Always check live tool dimensions on the turret



DATE/DATE	02/10/2017	05179300-R011
-----------	------------	---------------

Subject to technical changes