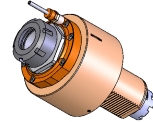


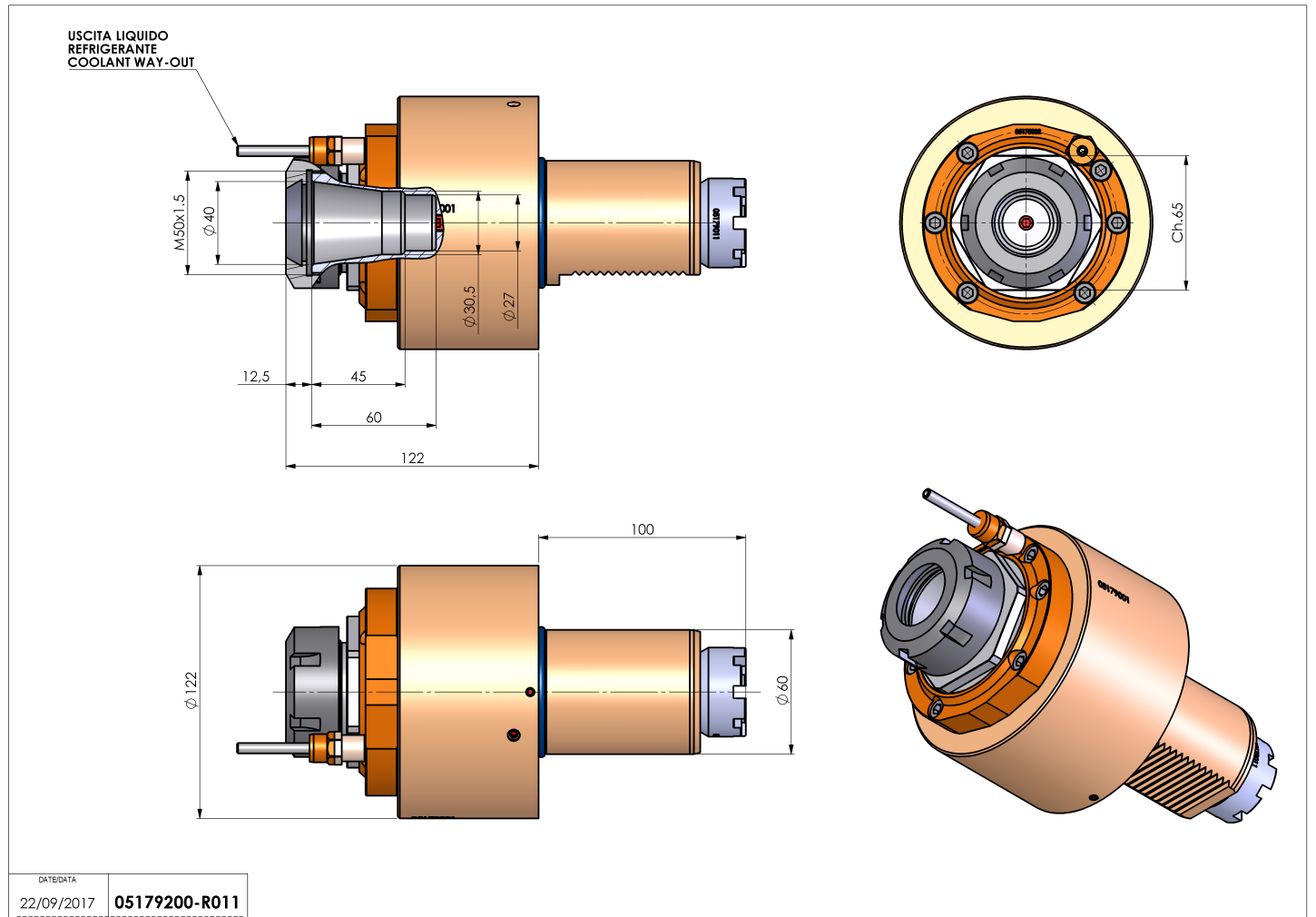
05179200 - LT-S VDI60 ER40 H122

Type	LT-S Tool holder straight
Mounting	VDI 60
Tool output	Collet nut ER 40
Coolant	External coolant
Direction of rotation	r1 ↻ r2 ↻
Max speed [rpm]	4000
Max torque [Nm]	120
Ratio	1:1
H [mm]	122
Accessories	N.A.
Notes	N.A.
Mounting tips	N.A.



ATTENTION: CHECK THE ORIENTATION OF THE VDI TEETH

Always check live tool dimensions on the turret



DATE DATA
22/09/2017 05179200-R011

Subject to technical changes