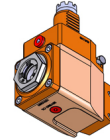


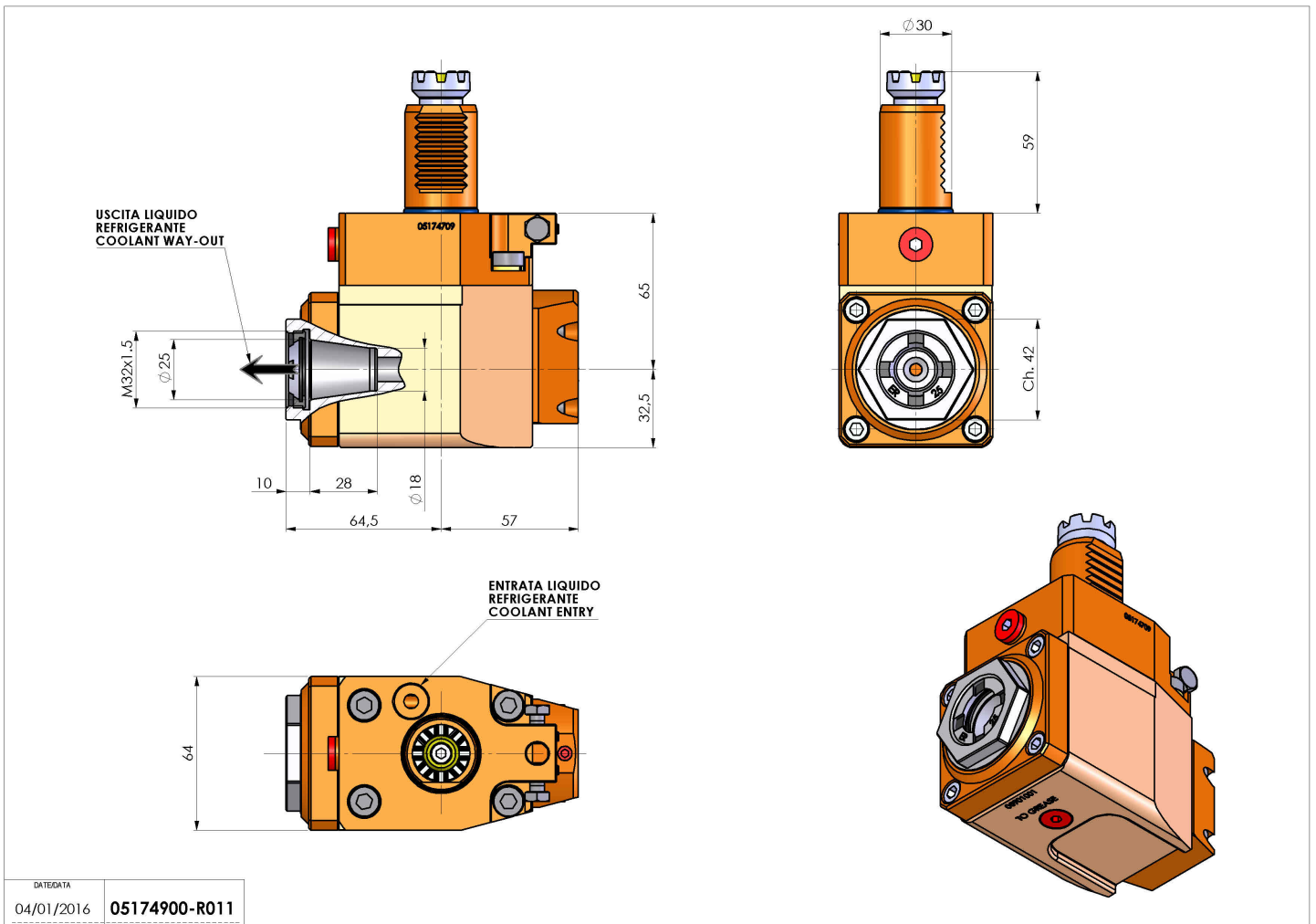
05174900 - LT-A VDI30 ER25F R RF H65 BA

| | |
|------------------------------|--|
| Type | LT-A Tool holder angle 90° |
| Mounting | VDI 30 |
| Tool output | Collet nut ER 25 F - internal nut |
| Coolant | Internal coolant |
| Direction of rotation | r1 r2 |
| Max speed [rpm] | 6000 |
| Max torque [Nm] | 30 |
| Ratio | 1:1 |
| H [mm] | 65 |
| H1 [mm] | 32,5 |
| Max pressure [bar] | 20 |
| Accessories | N.A. |
| Notes | N.A. |
| Mounting tips | Verify VDI position betw. turret and live tool |



ATTENTION: CHECK THE ORIENTATION OF THE VDI TEETH

Always check live tool dimensions on the turret



| | |
|-------------|----------------------|
| DATE/GATE | 04/01/2016 |
| PART NUMBER | 05174900-R011 |

Subject to technical changes