

## 05173100 - LT-S VDI30 ER25 H85 BA

**Type** LT-S  
Tool holder straight

**Mounting** VDI 30

**Tool output** Collet nut ER 25

**Coolant** External coolant

**Direction of rotation** r1 ↻ r2 ↻

**Max speed [rpm]** 6000

**Max torque [Nm]** 30

**Ratio** 1:1

**H [mm]** 85,5

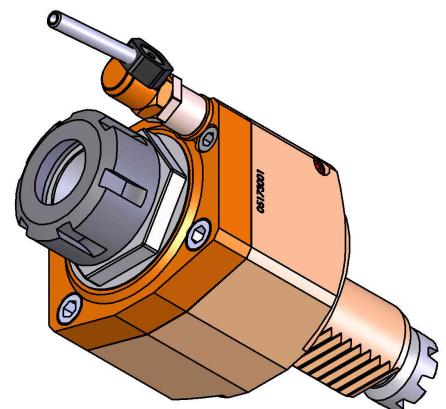
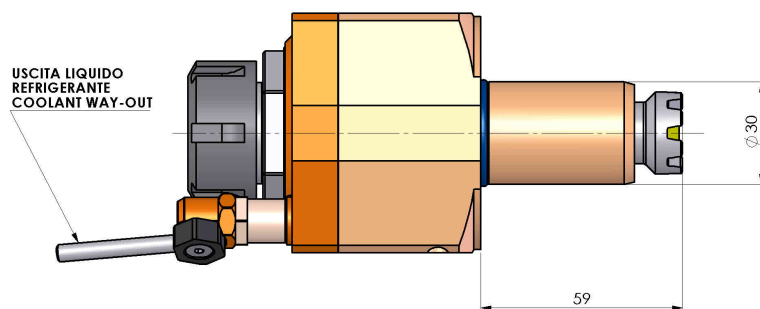
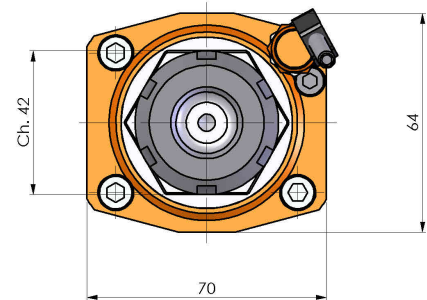
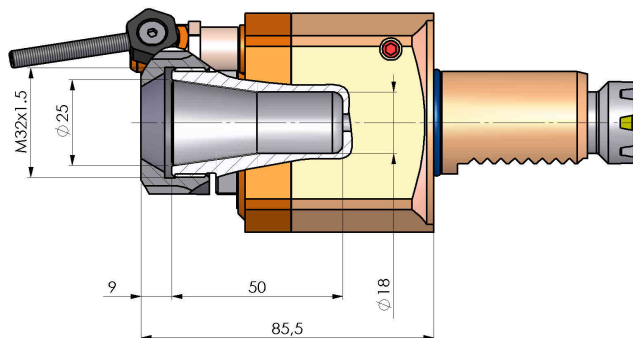
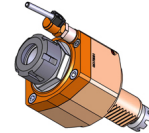
**Accessories**

**Notes** N.A.

**Mounting tips** N.A.

**ATTENTION: CHECK THE ORIENTATION OF THE VDI TEETH**

Always check live tool dimensions on the turret



DATE/GATE  
23/12/2015 05173100-R011

Subject to technical changes