

## 05170100 - LT-S VDI40 ER32 H92 BA

**Type** LT-S  
Tool holder straight

**Mounting** VDI 40

**Tool output** Collet nut ER 32

**Coolant** External coolant

**Direction of rotation** r1 ↻ r2 ↻

**Max speed [rpm]** 6000

**Max torque [Nm]** 63

**Ratio** 1:1

**H [mm]** 92

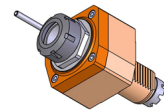
**Accessories**

**Notes** N.A.

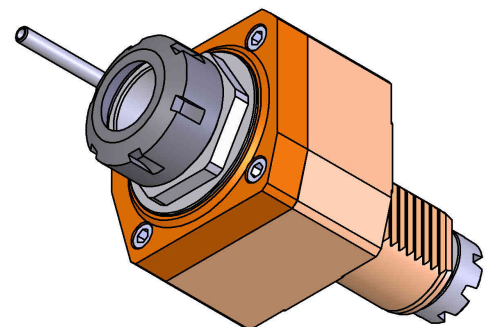
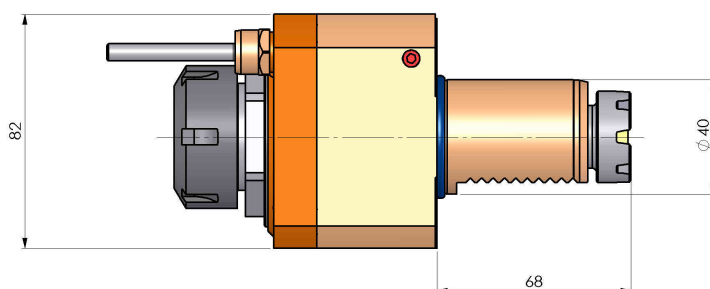
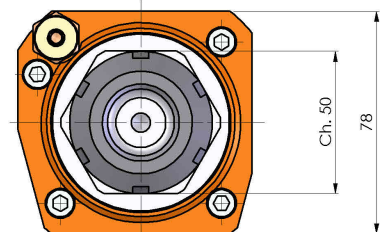
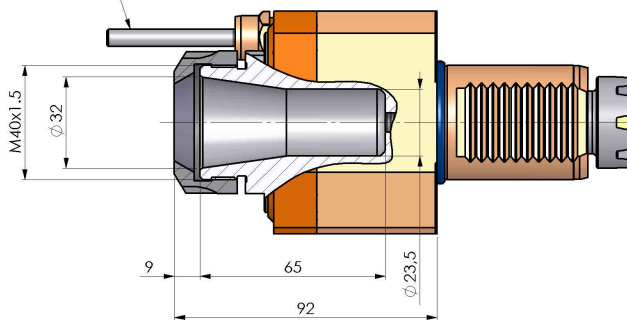
**Mounting tips** N.A.

**ATTENTION: CHECK THE ORIENTATION OF THE VDI TEETH**

Always check live tool dimensions on the turret



USCITA LIQUIDO  
REFRIGERANTE  
COOLANT WAY-OUT



DATE/DATA

21/12/2015

05170100-R011

Subject to technical changes