

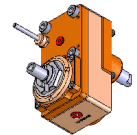
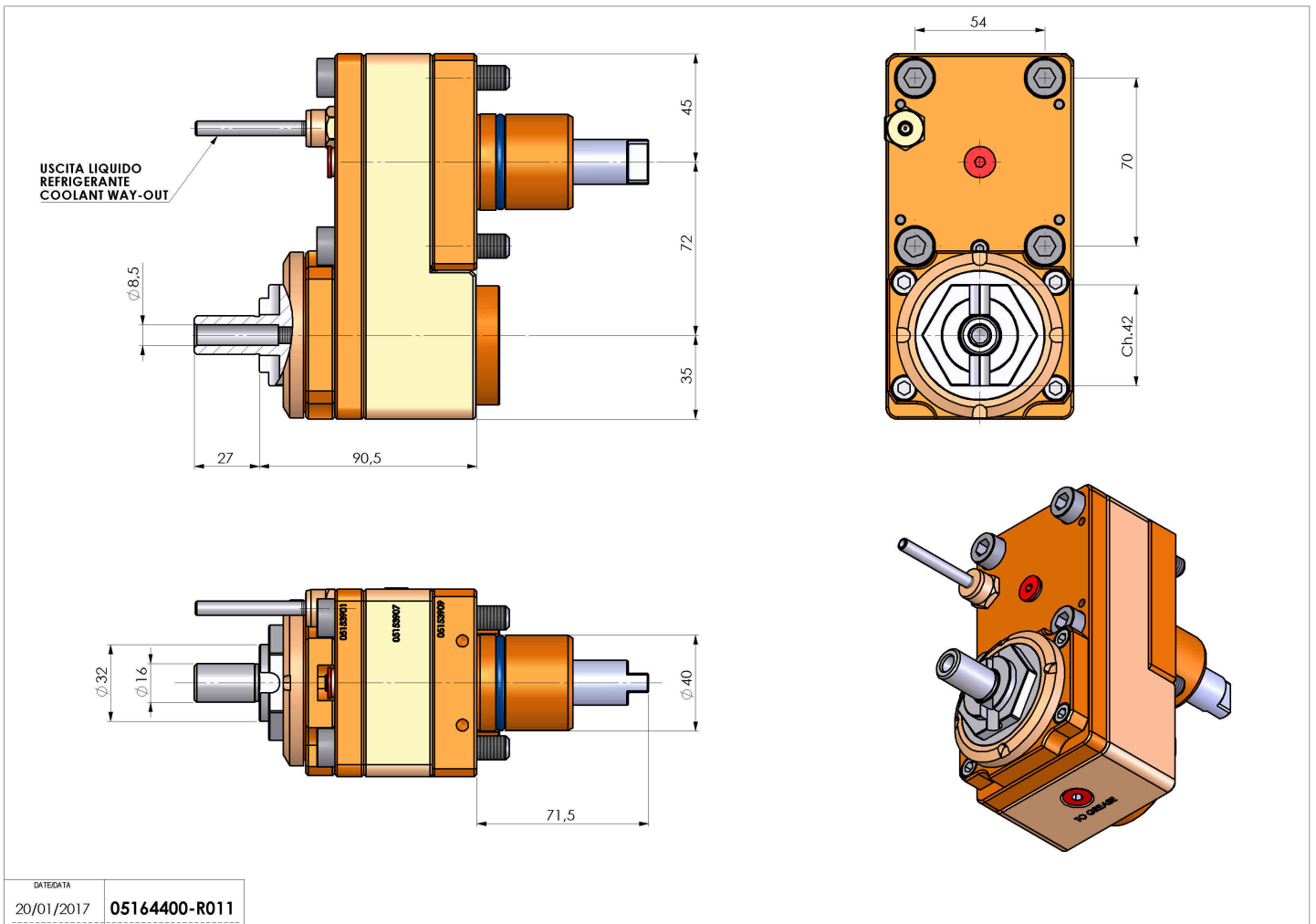


05164400 - LT-S D40 DIN138-16 OF72 LR HS H91

Type	LT-S OFS Tool holder straight offset
Mounting	CYLINDRICAL SHANK 40
Tool output	Shell-Mill DIN138 16
Coolant	External coolant
Offset [mm]	72
Direction of rotation	r1  r2 
Max speed [rpm]	10000
Max torque [Nm]	50
Ratio	1:1
H [mm]	91
Accessories	N.A.
Notes	N.A.
Mounting tips	N.A.



Always check live tool dimensions on the turret



DATE/DATE	05164400-R011
20/01/2017	

Subject to technical changes