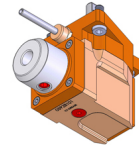
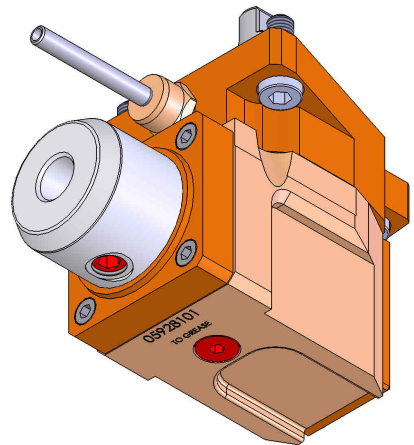
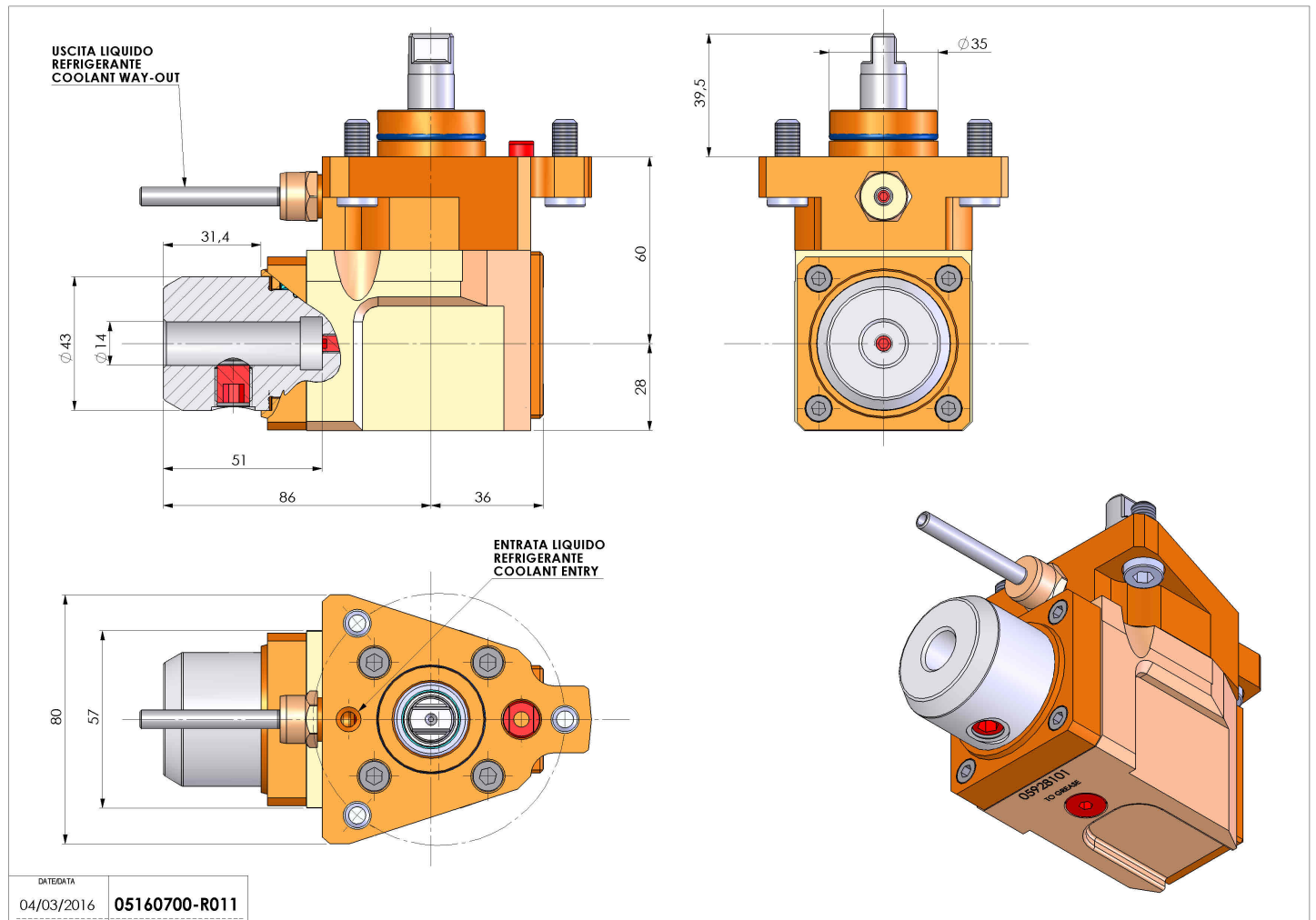


## 05160700 - LT-A D35 WELDON14 H60 MU

|                              |                               |
|------------------------------|-------------------------------|
| <b>Type</b>                  | LT-A<br>Tool holder angle 90° |
| <b>Mounting</b>              | CYLINDRICAL SHANK 35          |
| <b>Tool output</b>           | Weldon 14 DIN1835B            |
| <b>Coolant</b>               | External coolant              |
| <b>Direction of rotation</b> | r1  r2                        |
| <b>Max speed [rpm]</b>       | 6000                          |
| <b>Max torque [Nm]</b>       | 10                            |
| <b>Ratio</b>                 | 1:1                           |
| <b>H [mm]</b>                | 60                            |
| <b>H1 [mm]</b>               | 28                            |
| <b>Accessories</b>           | N.A.                          |
| <b>Notes</b>                 | N.A.                          |
| <b>Mounting tips</b>         | N.A.                          |



Always check live tool dimensions on the turret



|             |               |
|-------------|---------------|
| DATE/DATE   | 04/03/2016    |
| PART NUMBER | 05160700-R011 |

Subject to technical changes