

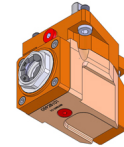
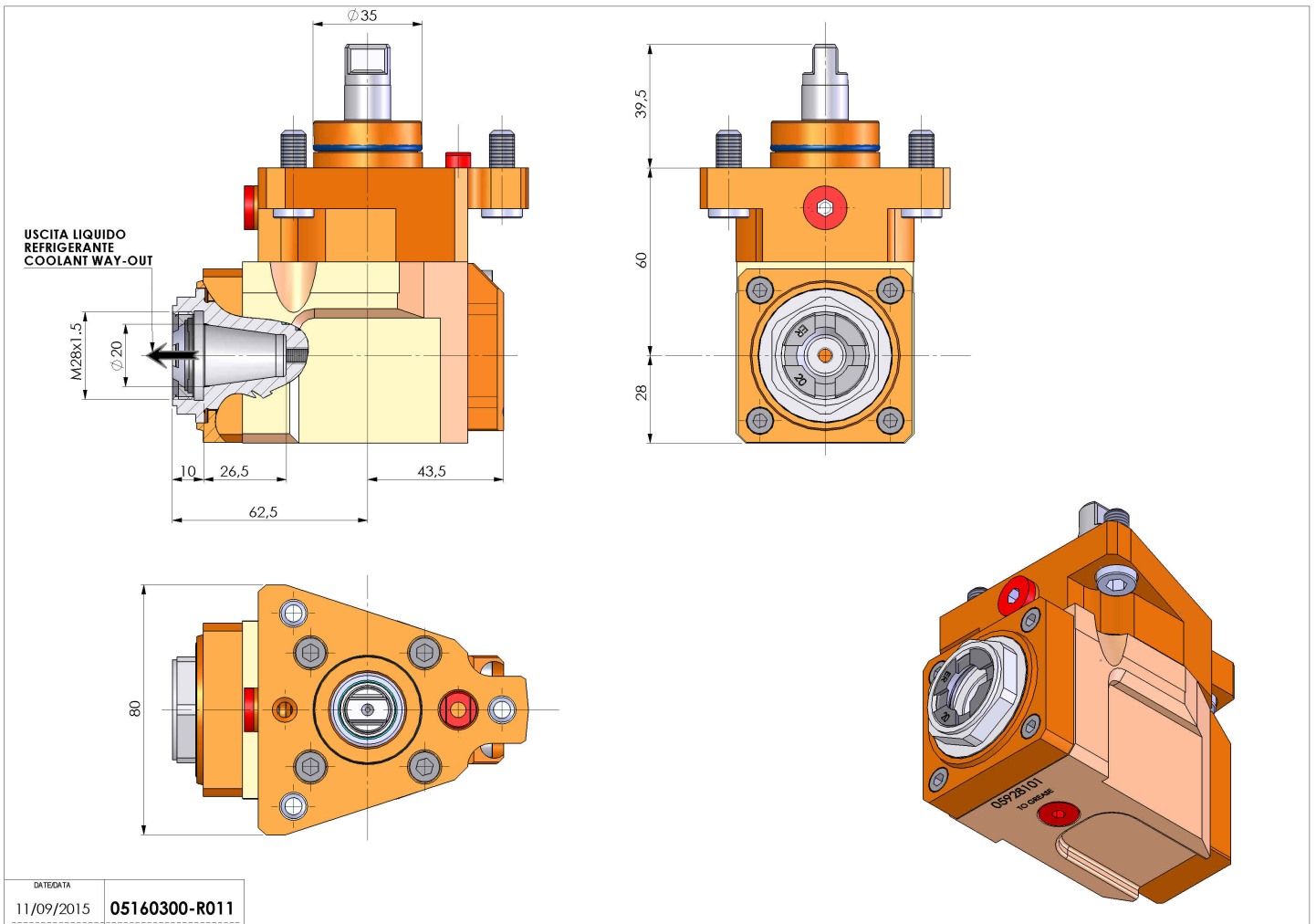


05160300 - LT-A D35 ER20F RF H60 MU

Type	LT-A Tool holder angle 90°
Mounting	CYLINDRICAL SHANK 35
Tool output	Collet nut ER 20 F - internal nut
Coolant	Internal coolant
Direction of rotation	r1  r2 
Max speed [rpm]	6000
Max torque [Nm]	10
Ratio	1:1
H [mm]	60
H1 [mm]	28
Max pressure [bar]	20
Accessories	N.A.
Notes	N.A.
Mounting tips	N.A.



Always check live tool dimensions on the turret



DATE/DATE: 11/09/2015
PART NUMBER: 05160300-R011

Subject to technical changes