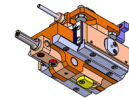
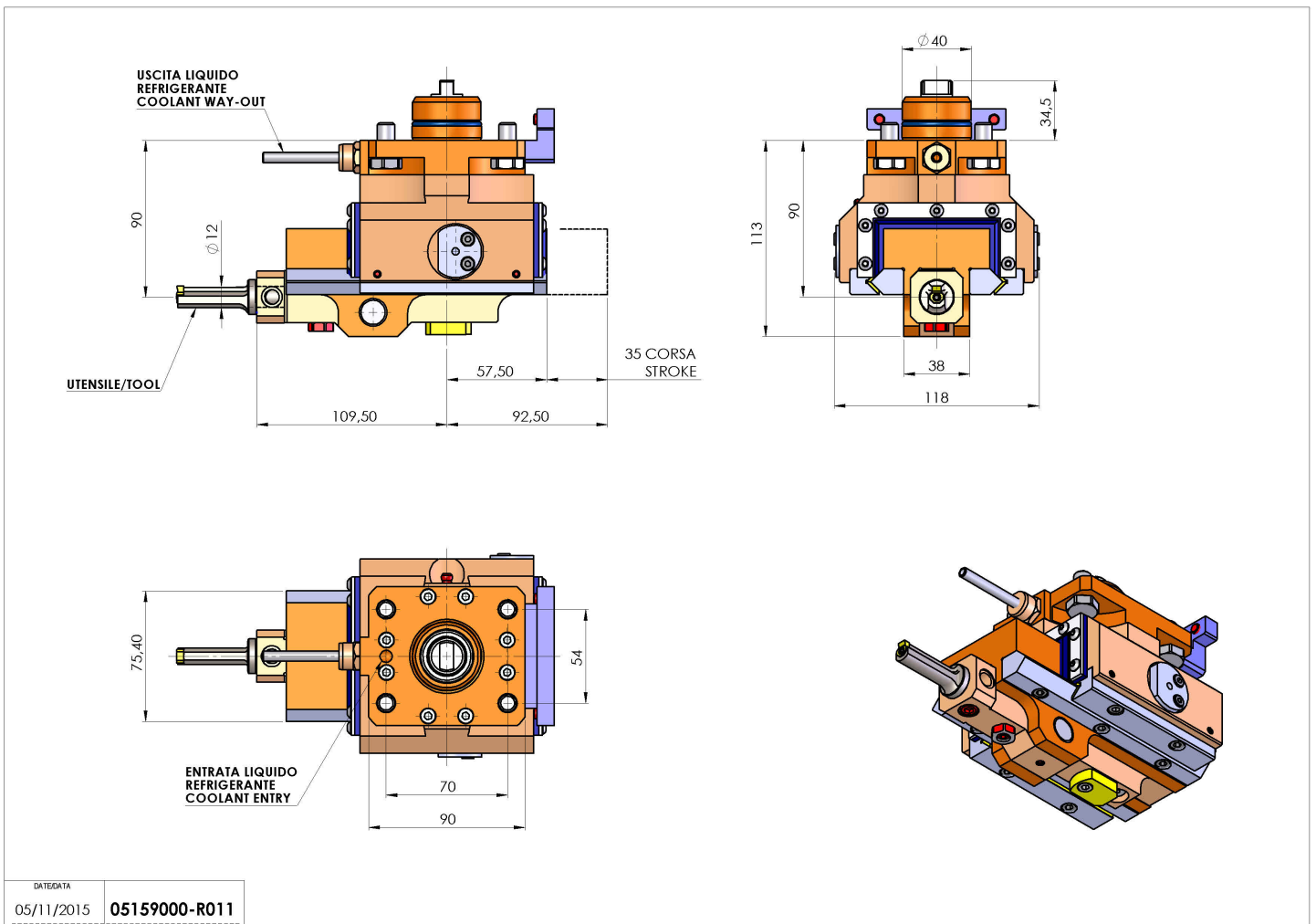


05159000 - LT-A ST35 D40 C12 H90 MU

| | |
|--------------------------|------------------------------|
| Type | LT-A ST Slotting tool 90° |
| Mounting | CYLINDRICAL SHANK 40 |
| Tool output | Tool diameter 12 |
| Coolant | External coolant |
| Max speed [rpm] | 700 |
| Max torque [Nm] | 17,5 |
| Ratio | 1:1 |
| Y axis adjustment | NO |
| Feed pushing [N] | 1000 |
| Stroke [mm] | 35 |
| Work stroke [mm] | 30 |
| H [mm] | 90 |
| Accessories | N.A. |
| Notes | N.A. |
| Mounting tips | Main spindle only |



Always check live tool dimensions on the turret



| | |
|-------------|---------------|
| DATE/DATE | 05/11/2015 |
| PART NUMBER | 05159000-R011 |

Subject to technical changes