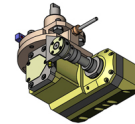
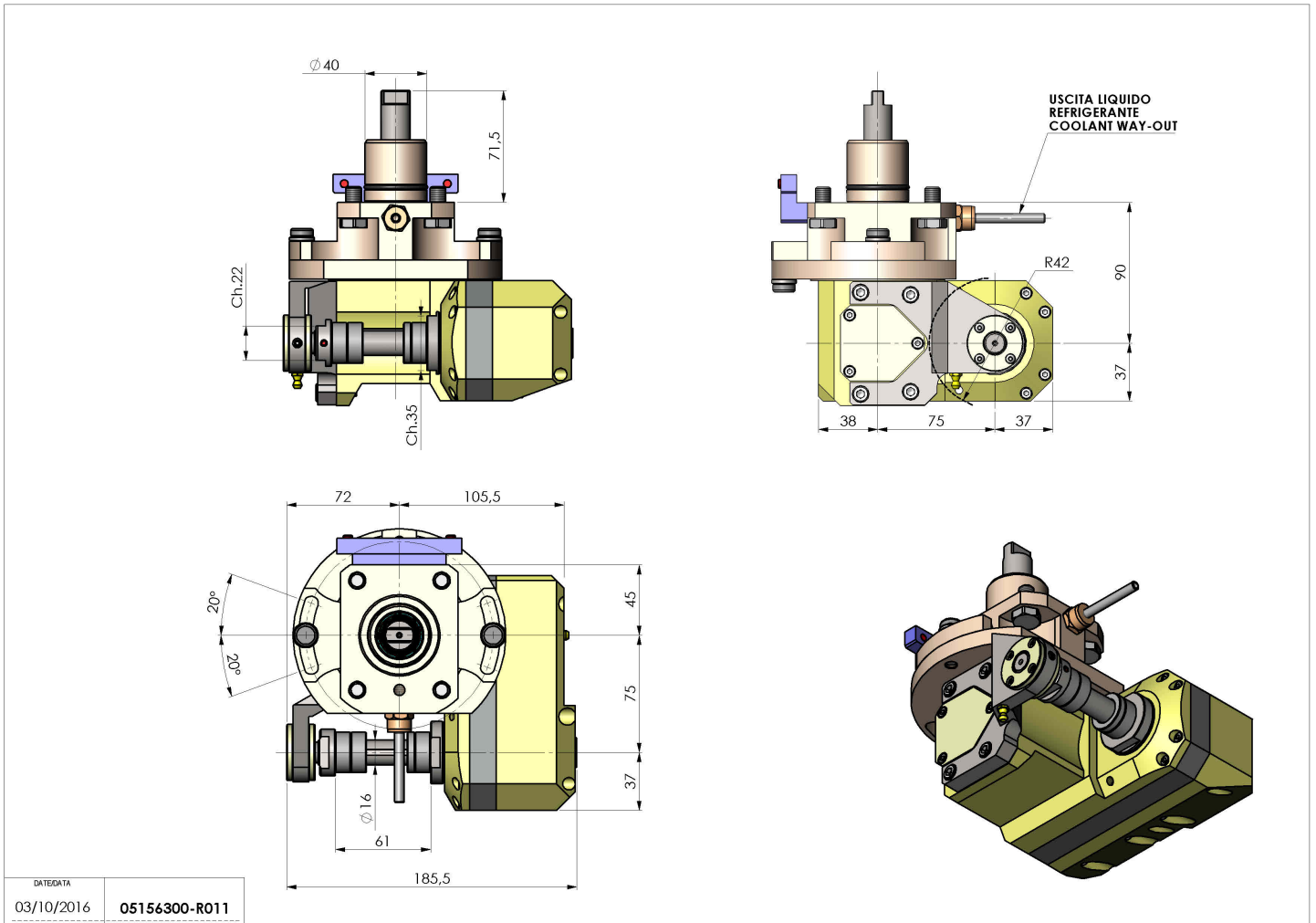


05156300 - LT-SAW D40 L 1:1 H90

| | |
|------------------------|---------------------------------------|
| Type | LT-HOB-SAW Hobbing/tool holder saw |
| Mounting | CYLINDRICAL SHANK 40 |
| Tool output | Shank kit Ø16-Ø22-Ø27 |
| Coolant | External coolant |
| Max speed [rpm] | 6000 |
| Max torque [Nm] | 60 |
| Ratio | 1:1 |
| H [mm] | 90 |
| Accessories | N.A. |
| Notes | N.A. |
| Mounting tips | N.A. |



Always check live tool dimensions on the turret



DATE/DATE: 03/10/2016
 05156300-R011

Subject to technical changes