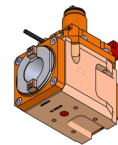


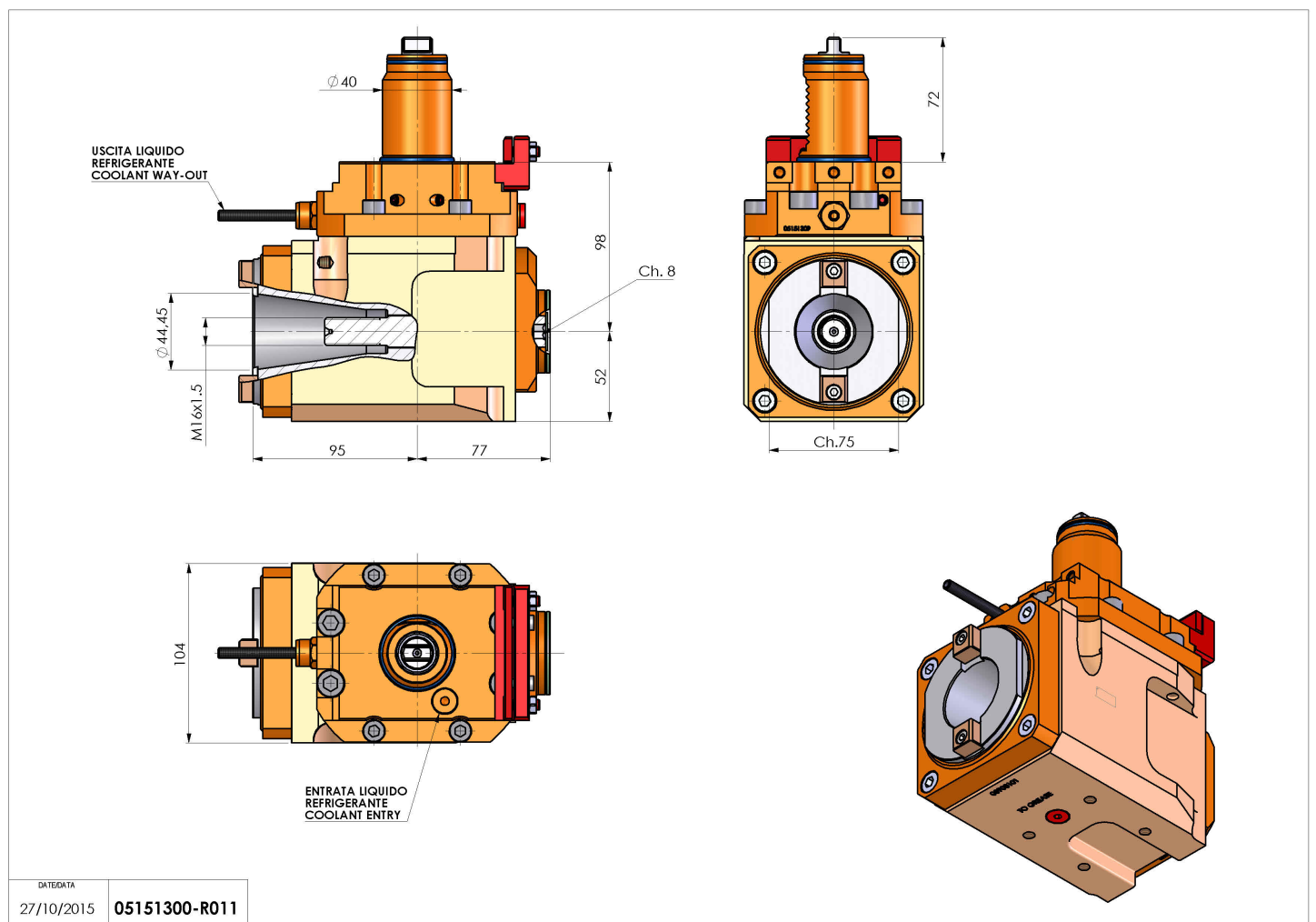
## 05151300 - LT-A VDI40 ISOBT40 L 2:1H98 MU

Type	LT-A Tool holder angle 90°
Mounting	VDI 40
Tool output	Quick Change ISO-BT40
Coolant	External coolant
Direction of rotation	r1 ↻ r2 ↻
Max speed [rpm]	in 4000 / out 2000
Max torque [Nm]	in 60 / out 120
Ratio	2:1
H [mm]	98
H1 [mm]	52
Accessories	N.A.
Notes	N.A.
Mounting tips	N.A.



**ATTENTION: CHECK THE ORIENTATION OF THE VDI TEETH**

Always check live tool dimensions on the turret



DATE/DATE	27/10/2015	05151300-R011
-----------	------------	---------------

Subject to technical changes