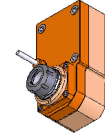
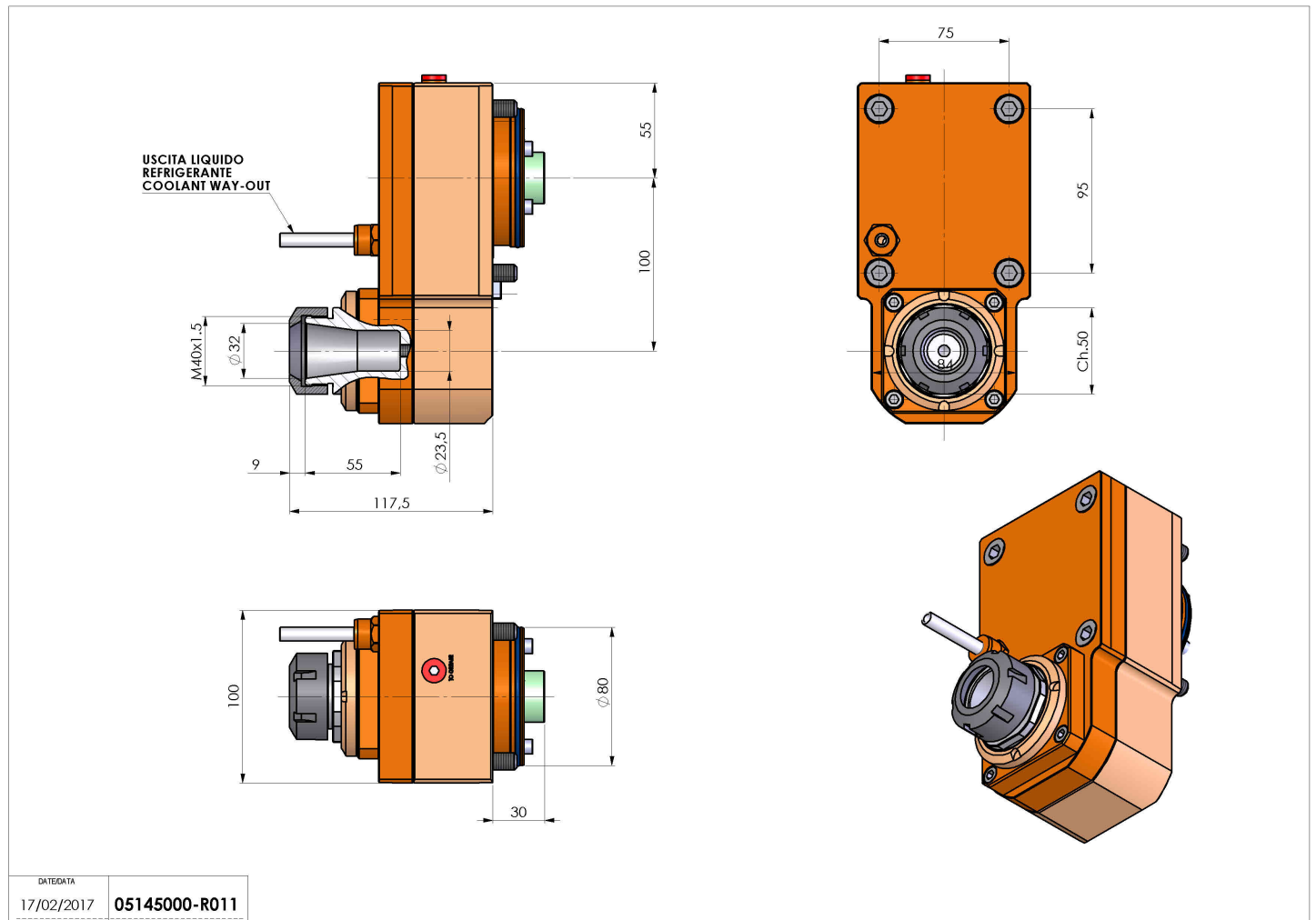


05145000 - LT-S D80 ER32 OFS100 H117

| | |
|-----------------------|---|
| Type | LT-S OFS Tool holder straight offset |
| Mounting | CYLINDRICAL SHANK 80 |
| Tool output | Collet nut ER 32 |
| Coolant | External coolant |
| Offset [mm] | 100 |
| Direction of rotation | r1 ↻ r2 ↻ |
| Max speed [rpm] | 6000 |
| Max torque [Nm] | 63 |
| Ratio | 1:1 |
| H [mm] | 108,5 |
| Accessories | N.A. |
| Notes | N.A. |
| Mounting tips | Main spindle only |



Always check live tool dimensions on the turret



| | |
|------------|---------------|
| DATE/DATE | 05145000-R011 |
| 17/02/2017 | |

Subject to technical changes