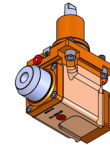
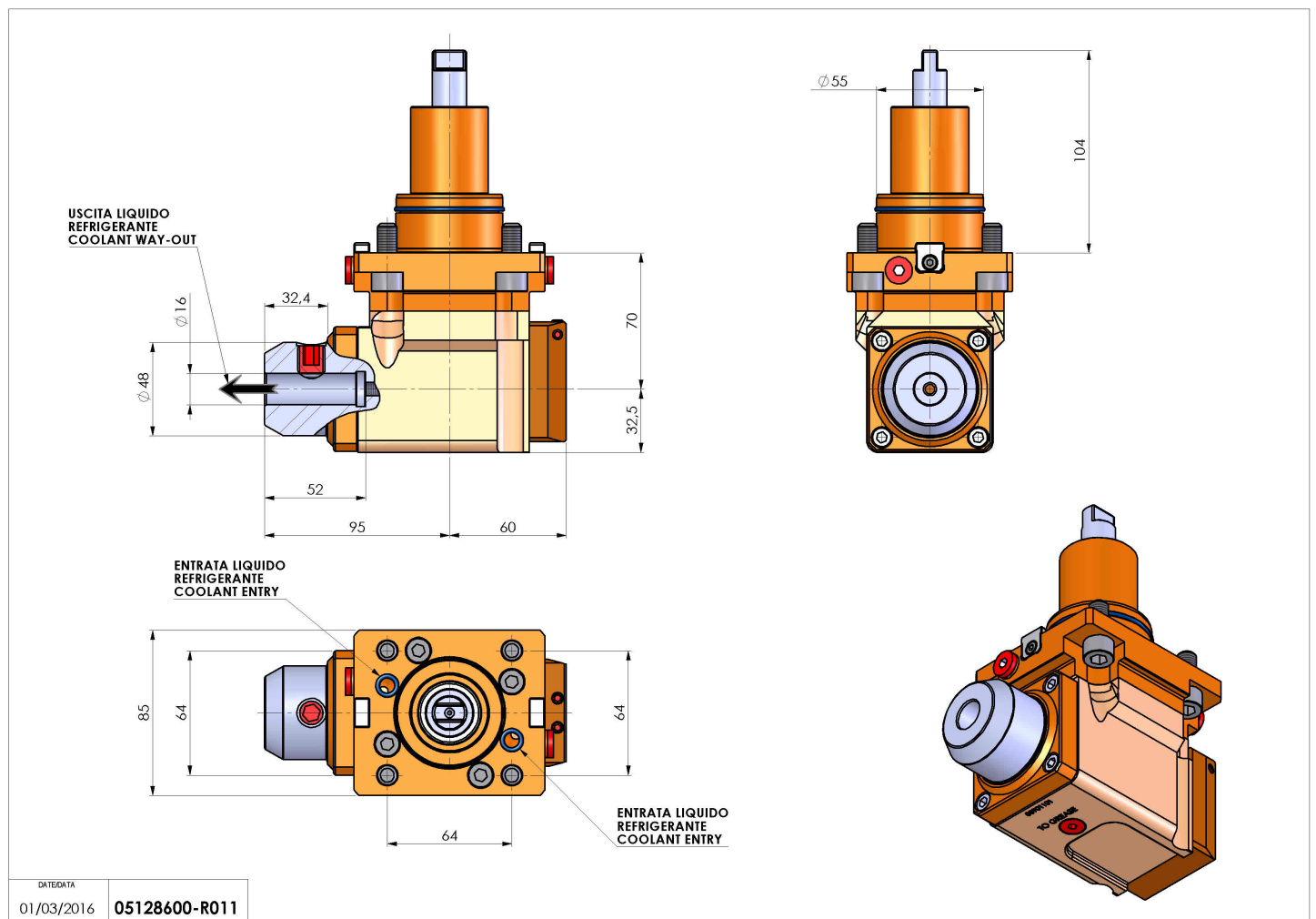


05128600 - LT-A BMT55 WELDON16 LR RF H70

Type	LT-A Tool holder angle 90°
Mounting	BMT 55
Tool output	Weldon 16 DIN1835B
Coolant	Internal coolant
Direction of rotation	r1 ↻ r2 ↻
Max speed [rpm]	6000
Max torque [Nm]	40
Ratio	1:1
H [mm]	70
H1 [mm]	32,5
Max pressure [bar]	20
Accessories	N.A.
Notes	N.A.
Mounting tips	N.A.



Always check live tool dimensions on the turret



DATE/DATE	01/03/2016	05128600-R011
-----------	------------	---------------

Subject to technical changes