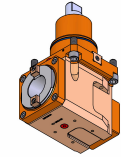
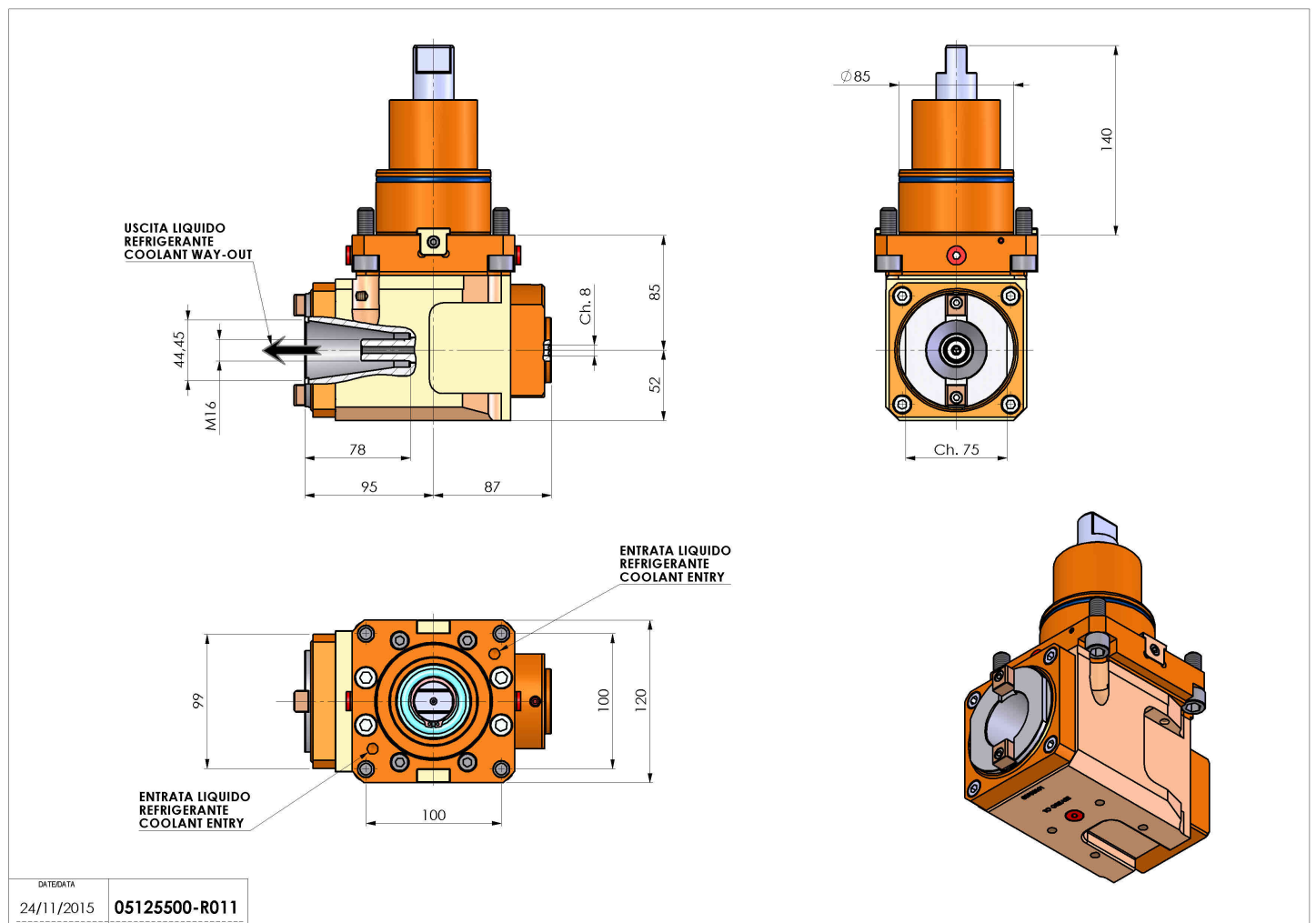


05125500 - LT-A BMT85 ISO-BT40 RF H85 2:1

Type	LT-A Tool holder angle 90°
Mounting	BMT 85
Tool output	Quick Change ISO-BT40
Coolant	Internal coolant
Direction of rotation	r1 ↻ r2 ↻
Max speed [rpm]	in 4000 / out 2000
Max torque [Nm]	in 60 / out 120
Ratio	2:1
H [mm]	85
H1 [mm]	52
Max pressure [bar]	20
Accessories	N.A.
Notes	N.A.
Mounting tips	N.A.



Always check live tool dimensions on the turret



DATE/DATE	05125500-R011
24/11/2015	

Subject to technical changes