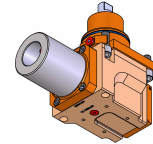
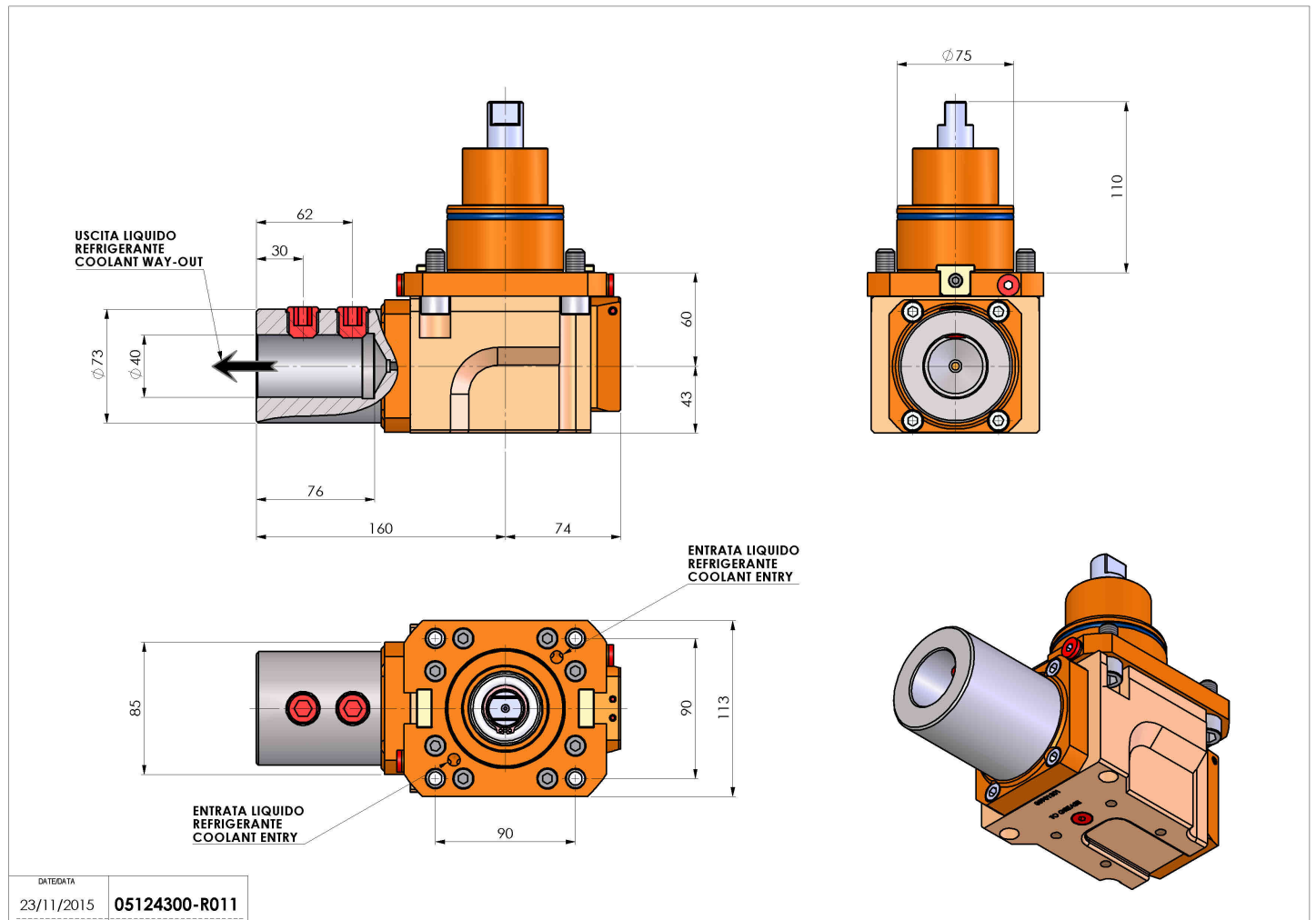


# 05124300 - LT-A BMT75 WELDON40 RF H60 DW

<b>Type</b>	LT-A Tool holder angle 90°
<b>Mounting</b>	BMT 75
<b>Tool output</b>	Weldon 40 DIN1835B
<b>Coolant</b>	Internal coolant
<b>Direction of rotation</b>	r1 ↻ r2 ↻
<b>Max speed [rpm]</b>	4000
<b>Max torque [Nm]</b>	80
<b>Ratio</b>	1:1
<b>H [mm]</b>	60
<b>H1 [mm]</b>	43
<b>Max pressure [bar]</b>	20
<b>Accessories</b>	N.A.
<b>Notes</b>	N.A.
<b>Mounting tips</b>	N.A.



Always check live tool dimensions on the turret



DATE/DATE	05124300-R011
23/11/2015	

Subject to technical changes