

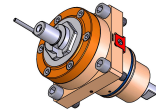
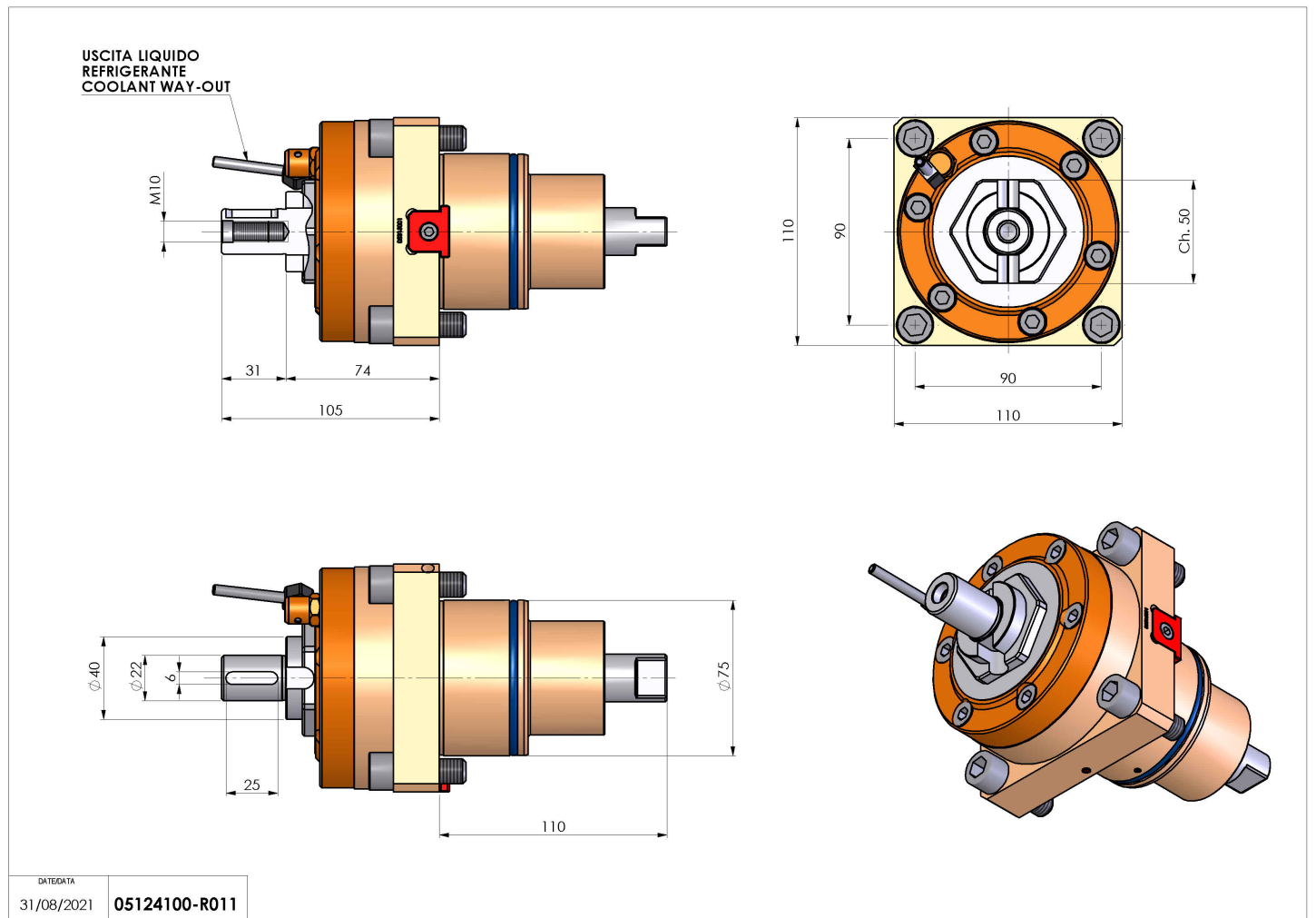


05124100 - LT-S BMT75 DIN 138-22 H74

Type	LT-S Tool holder straight
Mounting	BMT 75
Tool output	Shell-Mill DIN138 22
Coolant	External coolant
Direction of rotation	r1  r2 
Max speed [rpm]	4000
Max torque [Nm]	100
Ratio	1:1
H [mm]	74
Accessories	
Notes	N.A.
Mounting tips	N.A.



Always check live tool dimensions on the turret



Subject to technical changes