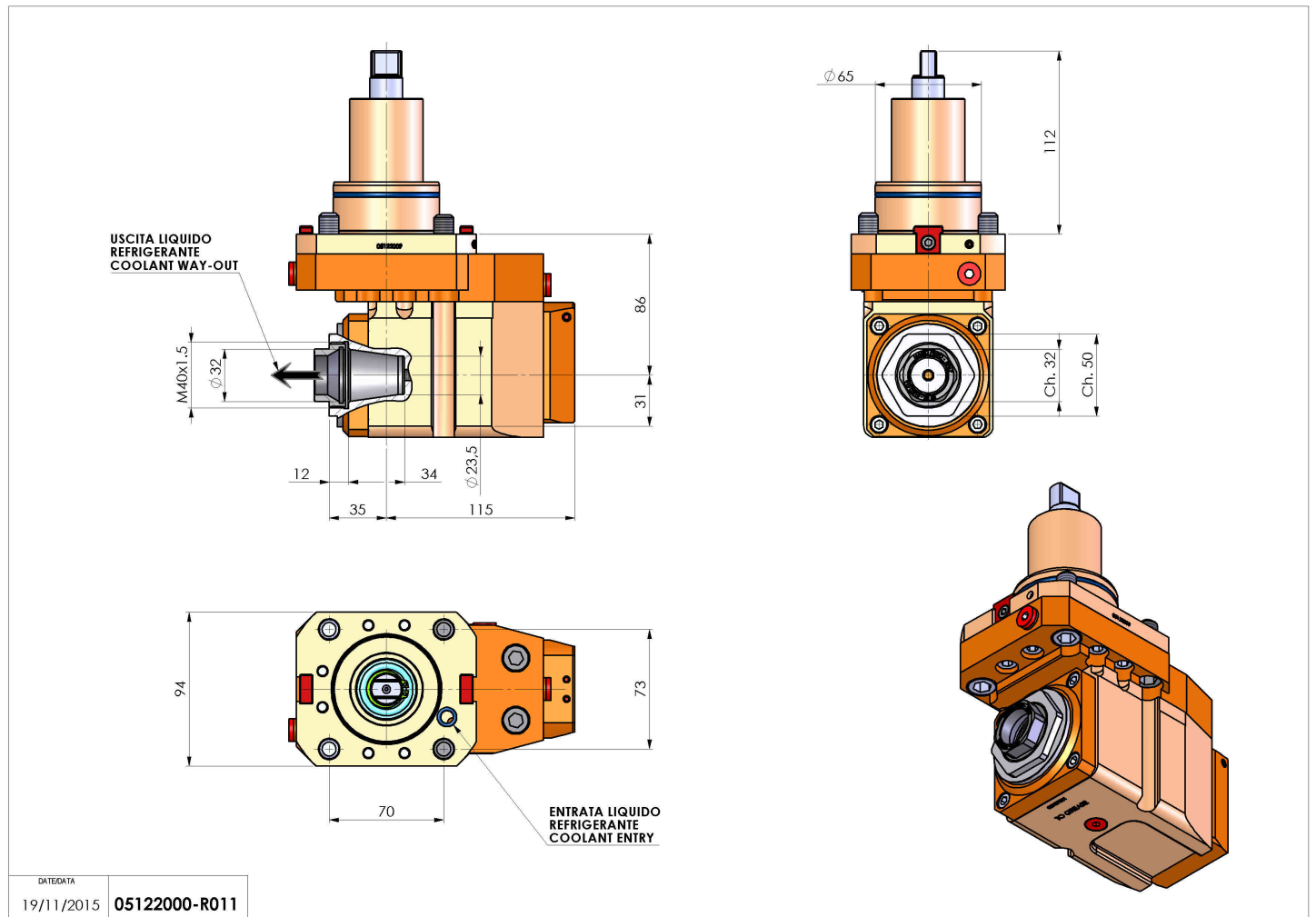


05122000 - LT-A BMT65 ER32F RF OFS H86 DW

Type	LT-A OFS Tool holder offset angle 90°
Mounting	BMT 65
Tool output	Collet nut ER 32 F - internal nut
Coolant	Internal coolant
Direction of rotation	r1 ↻ r2 ↻
Max speed [rpm]	6000
Max torque [Nm]	50
Ratio	1:1
H [mm]	86
H1 [mm]	38
Max pressure [bar]	20
Accessories	N.A.
Notes	N.A.
Mounting tips	Secondary spindle only



Always check live tool dimensions on the turret



DATE/DATE	19/11/2015	05122000-R011
-----------	------------	---------------

Subject to technical changes