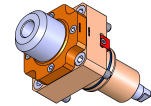
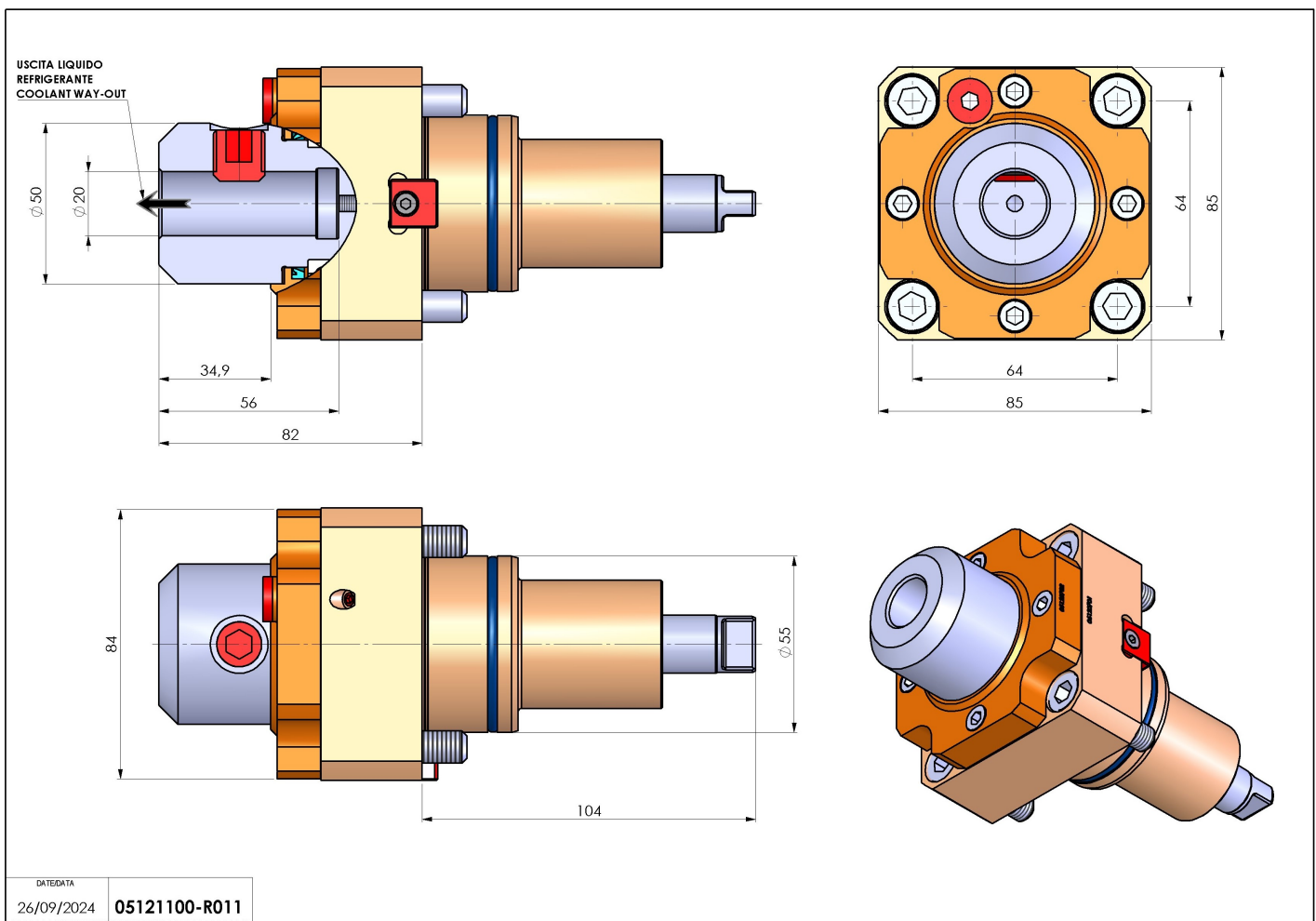


# 05121100 - LT-S BMT55 WELDON20 RF H82

<b>Type</b>	LT-S Tool holder straight
<b>Mounting</b>	BMT 55
<b>Tool output</b>	Weldon 20 DIN1835B
<b>Coolant</b>	Internal coolant
<b>Direction of rotation</b>	r1  r2
<b>Max speed [rpm]</b>	6000
<b>Max torque [Nm]</b>	40
<b>Ratio</b>	1:1
<b>H [mm]</b>	82
<b>Max pressure [bar]</b>	20
<b>Accessories</b>	N.A.
<b>Notes</b>	N.A.
<b>Mounting tips</b>	N.A.



Always check live tool dimensions on the turret



**Subject to technical changes**