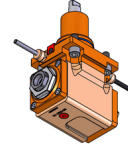
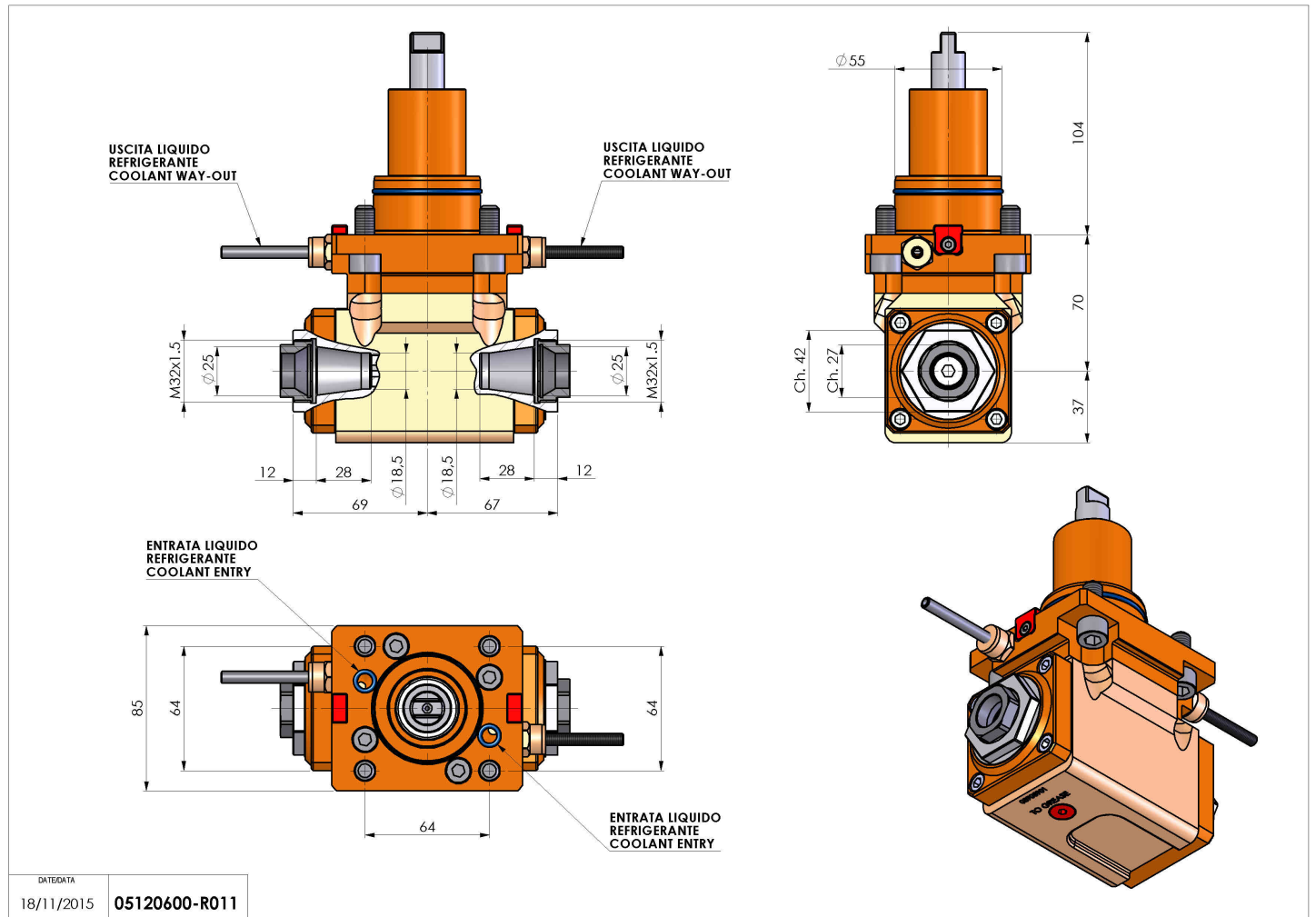


05120600 - LT-A BMT55 ER25F-25F H70 DW

Type	LT-A DBL Tool holder double angle 90°
Mounting	BMT 55
Tool output	Collet nut ER 25 F - internal nut
Coolant	External coolant
Direction of rotation	r1 ↻ r2 ↻ r3 ↻
Max speed [rpm]	6000
Max torque [Nm]	40
Ratio	1:1
H [mm]	70
H1 [mm]	37
Accessories	N.A.
Notes	N.A.
Mounting tips	N.A.



Always check live tool dimensions on the turret



DATE/DATA
18/11/2015 05120600-R011

Subject to technical changes