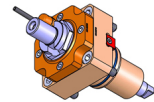
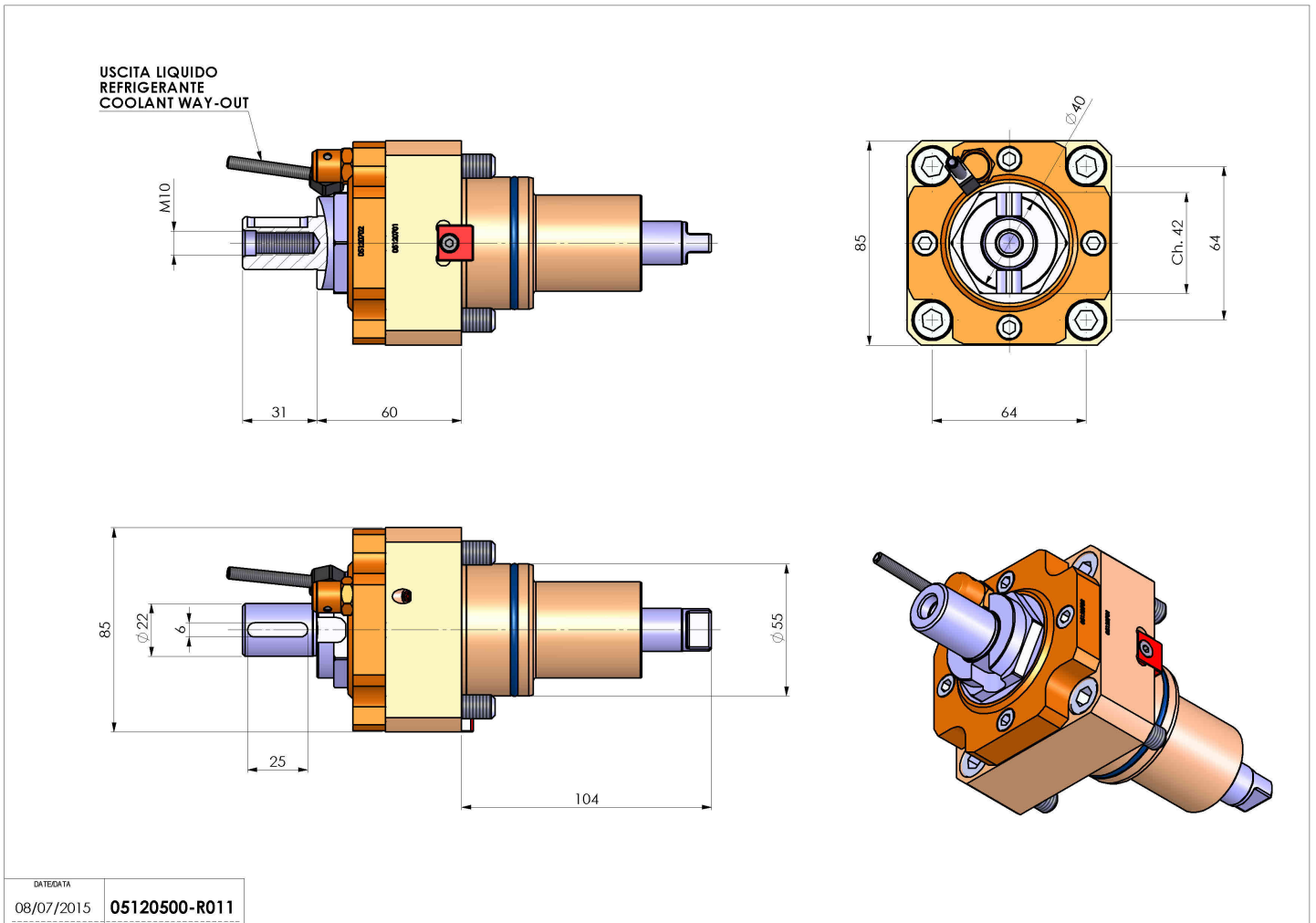


# 05120500 - LT-S BMT55 DIN138-22 H60 DW

Type	LT-S Tool holder straight
Mounting	BMT 55
Tool output	Shell-Mill DIN138 22
Coolant	External coolant
Direction of rotation	r1 ↻ r2 ↻
Max speed [rpm]	6000
Max torque [Nm]	40
Ratio	1:1
H [mm]	60
Accessories	
Notes	N.A.
Mounting tips	N.A.



Always check live tool dimensions on the turret



DATE/DATE	08/07/2015	05120500-R011
-----------	------------	---------------

Subject to technical changes