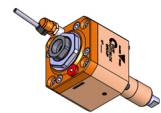
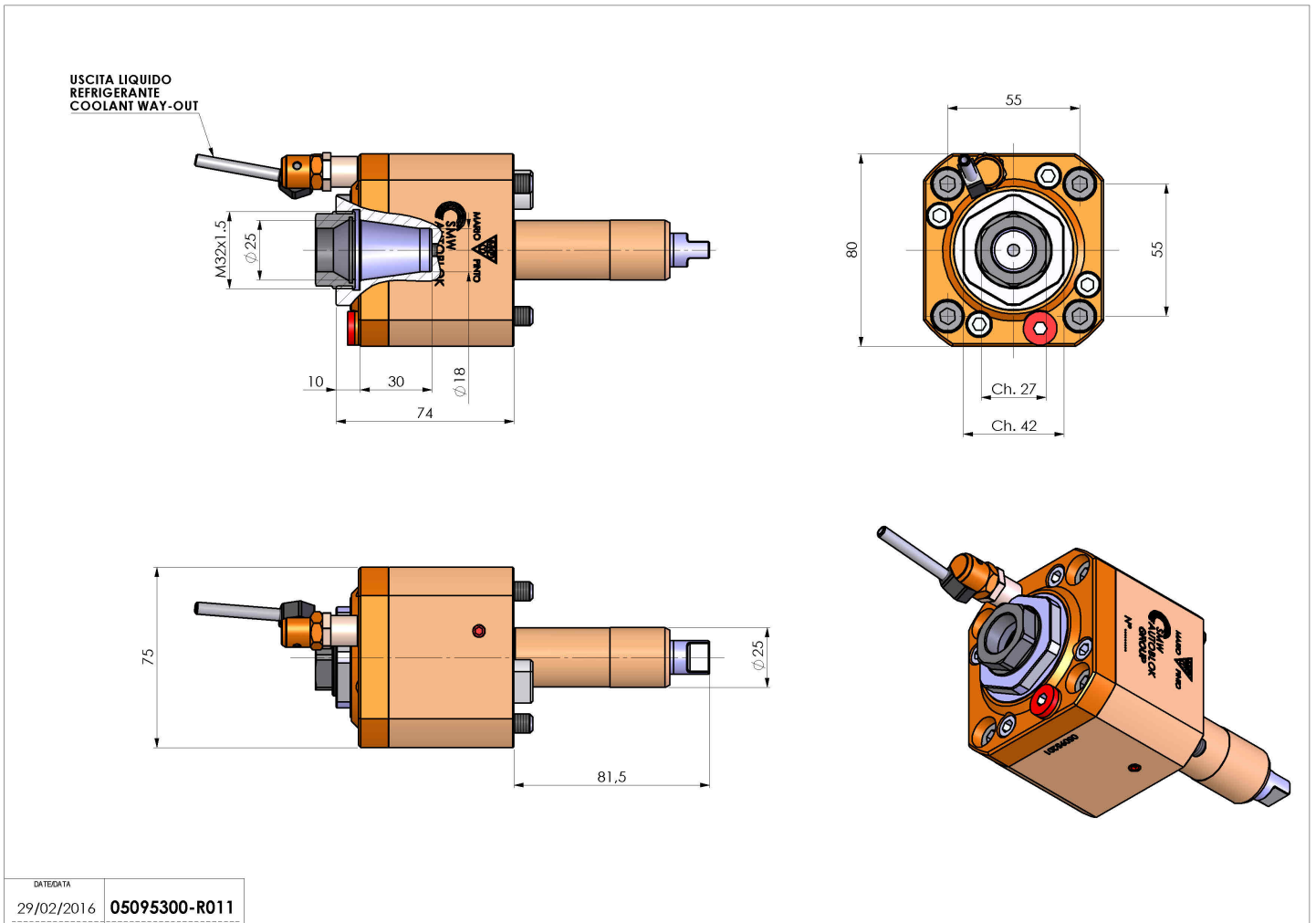


05095300 - LT-S D25 ER25F H74 ROMI

Type	LT-S Tool holder straight
Mounting	CYLINDRICAL SHANK 25
Tool output	Collet nut ER 25 F - internal nut
Coolant	External coolant
Direction of rotation	r1 r2
Max speed [rpm]	6000
Max torque [Nm]	40
Ratio	1:1
H [mm]	74
Accessories	
Notes	N.A.
Mounting tips	N.A.



Always check live tool dimensions on the turret



DATE/DATA	05095300-R011
29/02/2016	

Subject to technical changes