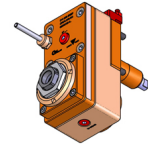
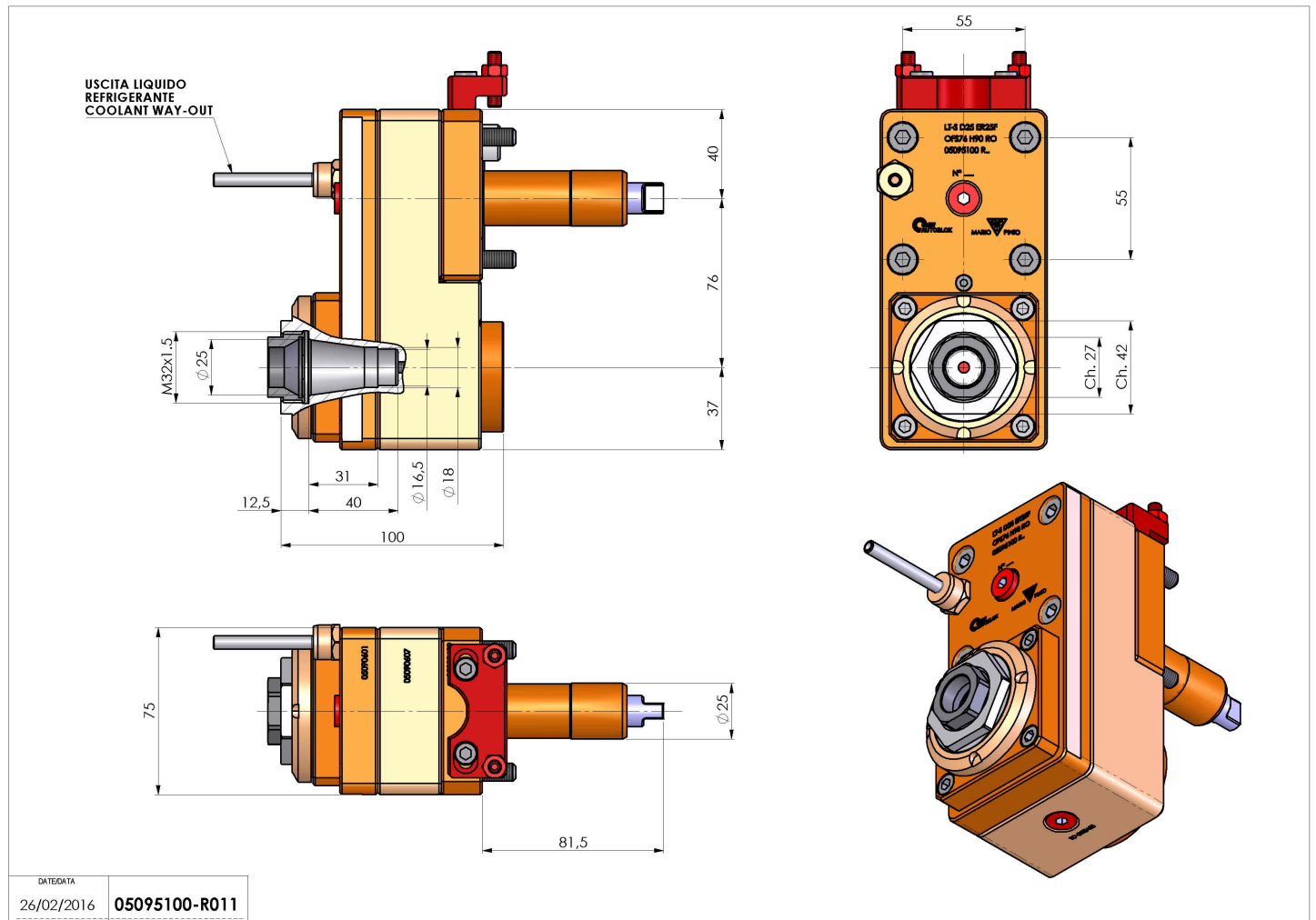


05095100 - LT-S D25 ER25F OFS76 H90 RO

Type	LT-S OFS Tool holder straight offset
Mounting	CYLINDRICAL SHANK 25
Tool output	Collet nut ER 25 F - internal nut
Coolant	External coolant
Offset [mm]	76
Direction of rotation	r1 ↻ r2 ↻
Max speed [rpm]	6000
Max torque [Nm]	40
Ratio	1:1
H [mm]	90,5
Accessories	N.A.
Notes	N.A.
Mounting tips	N.A.



Always check live tool dimensions on the turret



Subject to technical changes