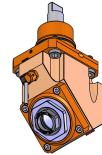
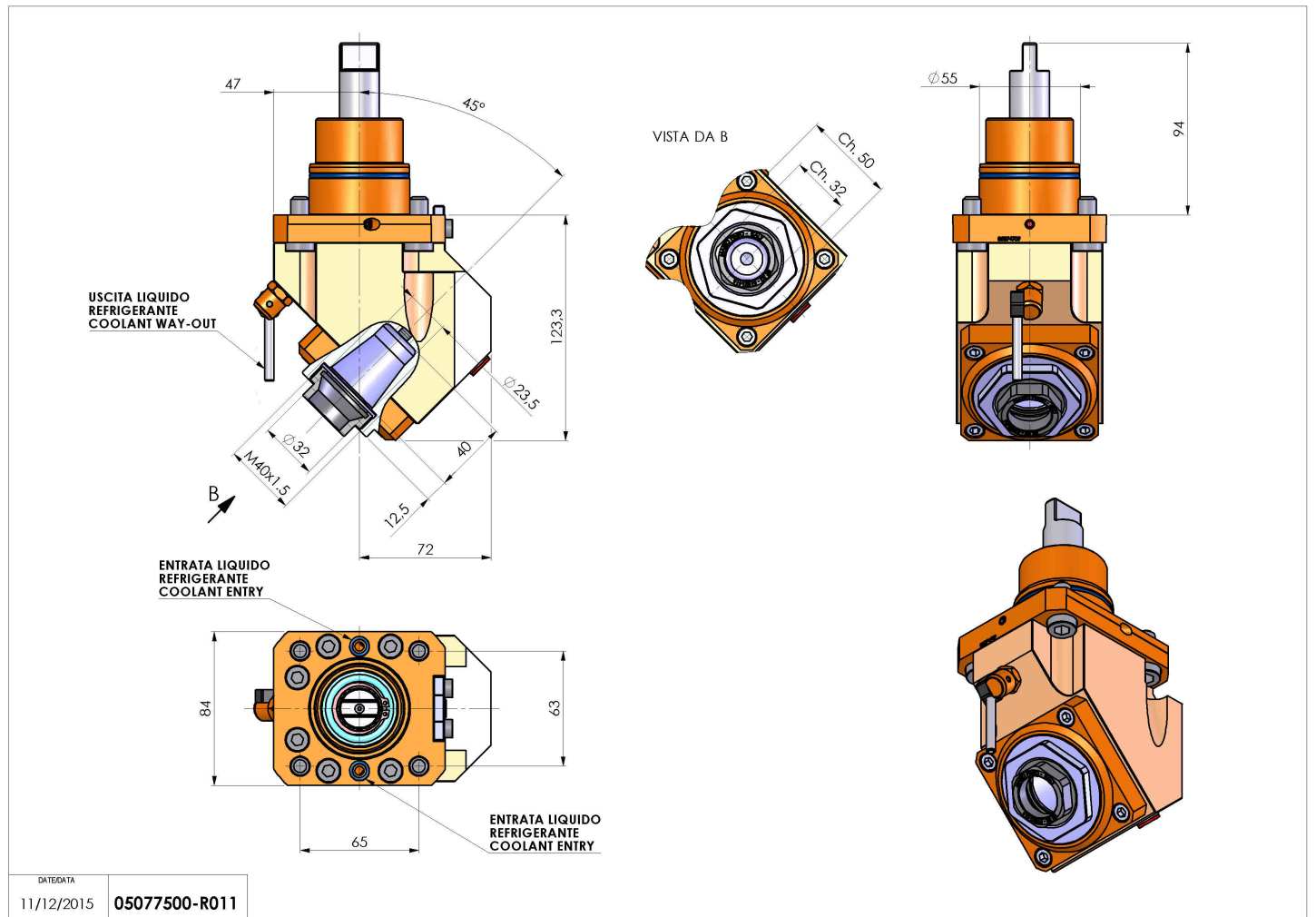


05077500 - LT-A45 D55 ER32F LR1:1H104BI

Type	LT-A-(a) Tool holder with fix angle (alpha)
Mounting	CYLINDRICAL SHANK 55
Tool output	Collet nut ER 32 F - internal nut
Coolant	External coolant
Direction of rotation	r1 ↻ r2 ↻
Max speed [rpm]	6000
Max torque [Nm]	40
Ratio	1:1
H [mm]	104
H1 [mm]	123
Accessories	N.A.
Notes	N.A.
Mounting tips	Main and secondary spindle



Always check live tool dimensions on the turret



DATE/DATE
11/12/2015 05077500-R011

Subject to technical changes