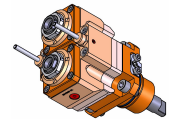
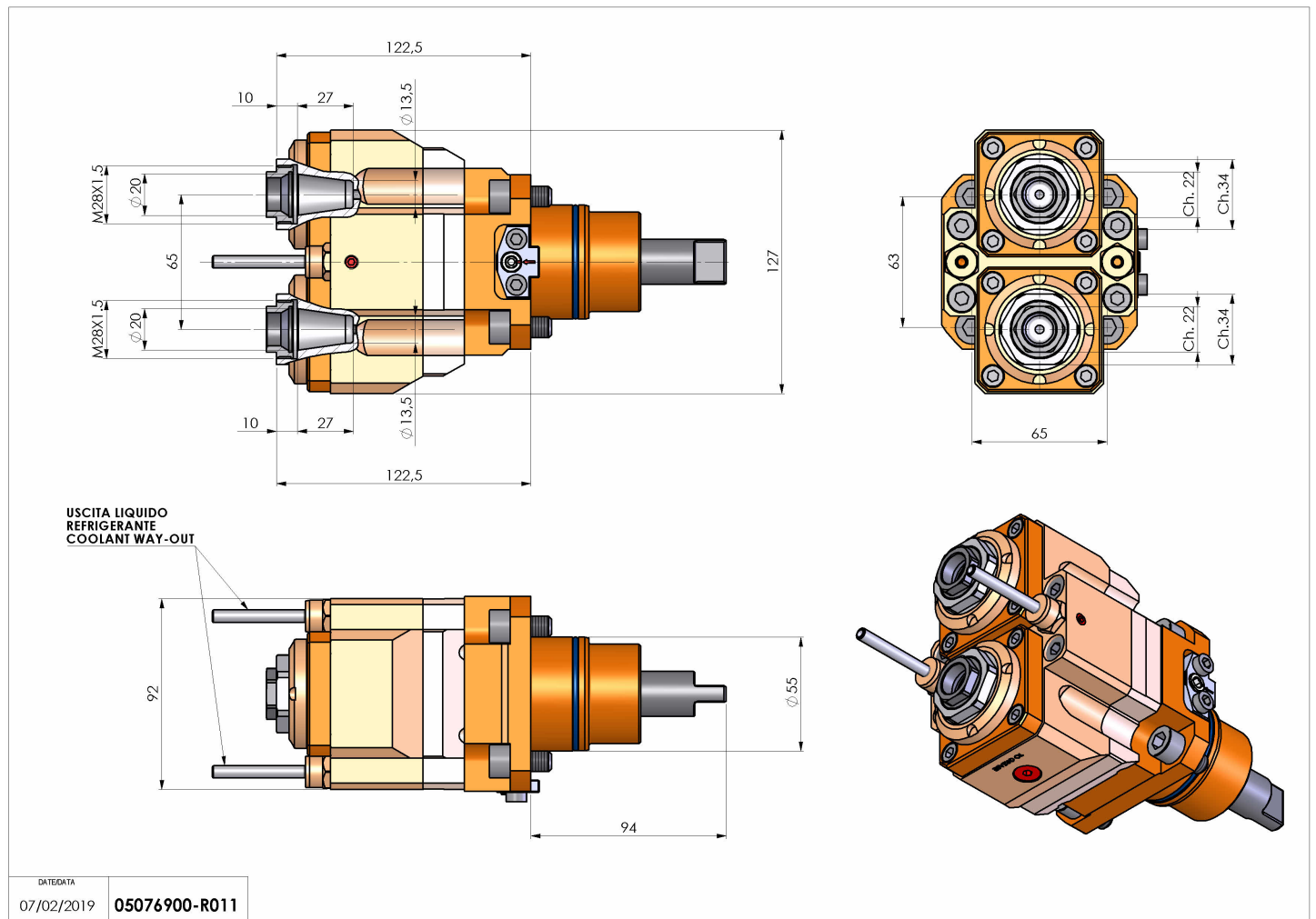


# 05076900 - LT-S2 D55 ER20F-20F 1:2 H122BI

<b>Type</b>	LT-S2 Tool holder double straight
<b>Mounting</b>	CYLINDRICAL SHANK 55
<b>Tool output</b>	Collet nut ER 20 F - internal nut
<b>Coolant</b>	External coolant
<b>Direction of rotation</b>	r1 ↻ r2 ↻ r3 ↻
<b>Max speed [rpm]</b>	in 6000 / out 12000
<b>Max torque [Nm]</b>	in 38 / out 16
<b>Ratio</b>	1:2
<b>H [mm]</b>	122
<b>Accessories</b>	N.A.
<b>Notes</b>	N.A.
<b>Mounting tips</b>	N.A.



Always check live tool dimensions on the turret



DATE/DATA  
07/02/2019 05076900-R011

Subject to technical changes