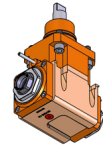
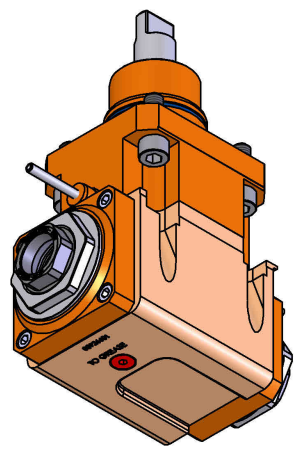
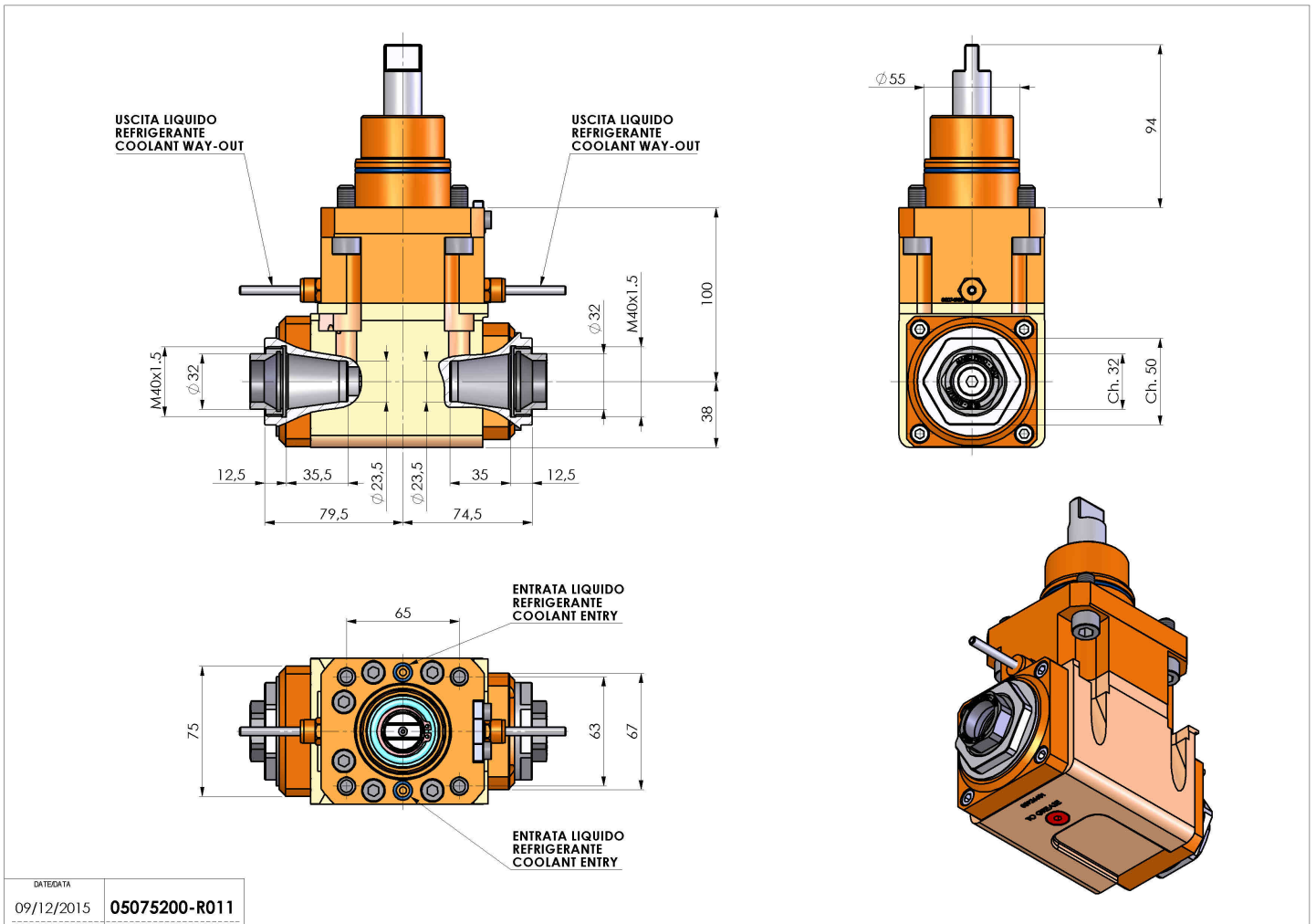


05075200 - LT-A D55 ER32F-32F H100 BI

Type	LT-A DBL Tool holder double angle 90°
Mounting	CYLINDRICAL SHANK 55
Tool output	Collet nut ER 32 F - internal nut
Coolant	External coolant
Direction of rotation	r1 ↻ r2 ↻ r3 ↻
Max speed [rpm]	6000
Max torque [Nm]	63
Ratio	1:1
H [mm]	100
H1 [mm]	38
Accessories	N.A.
Notes	N.A.
Mounting tips	Main and secondary spindle



Always check live tool dimensions on the turret



Subject to technical changes

DATE/DATE	09/12/2015	05075200-R011
-----------	------------	---------------