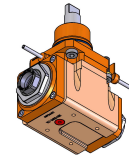
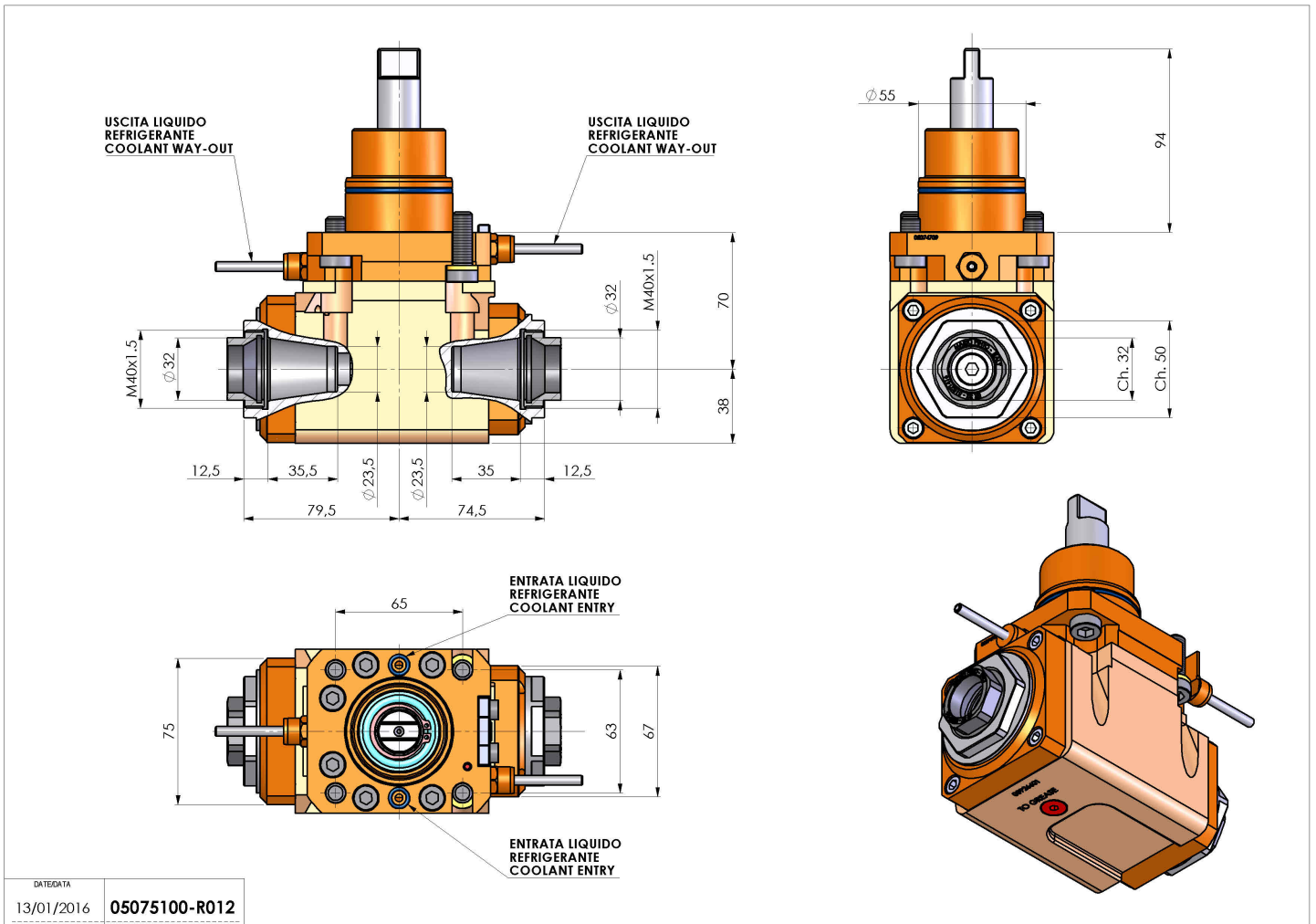


# 05075100 - LT-A D55 ER32F-32F H70 BI

|                       |  |
|-----------------------|--|
| Type                  | LT-A DBL<br>Tool holder double angle 90° |
| Mounting              | CYLINDRICAL SHANK 55                     |
| Tool output           | Collet nut ER 32 F - internal nut        |
| Coolant               | External coolant                         |
| Direction of rotation | r1 ↻ r2 ↻ r3 ↻                           |
| Max speed [rpm]       | 6000                                     |
| Max torque [Nm]       | 63                                       |
| Ratio                 | 1:1                                      |
| H [mm]                | 70                                       |
| H1 [mm]               | 38                                       |
| Accessories           | N.A.                                     |
| Notes                 | N.A.                                     |
| Mounting tips         | Main and secondary spindle               |



Always check live tool dimensions on the turret



|            |               |
|------------|---------------|
| DATE/DATA  | 05075100-R012 |
| 13/01/2016 |               |

Subject to technical changes