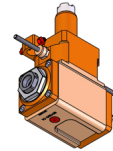


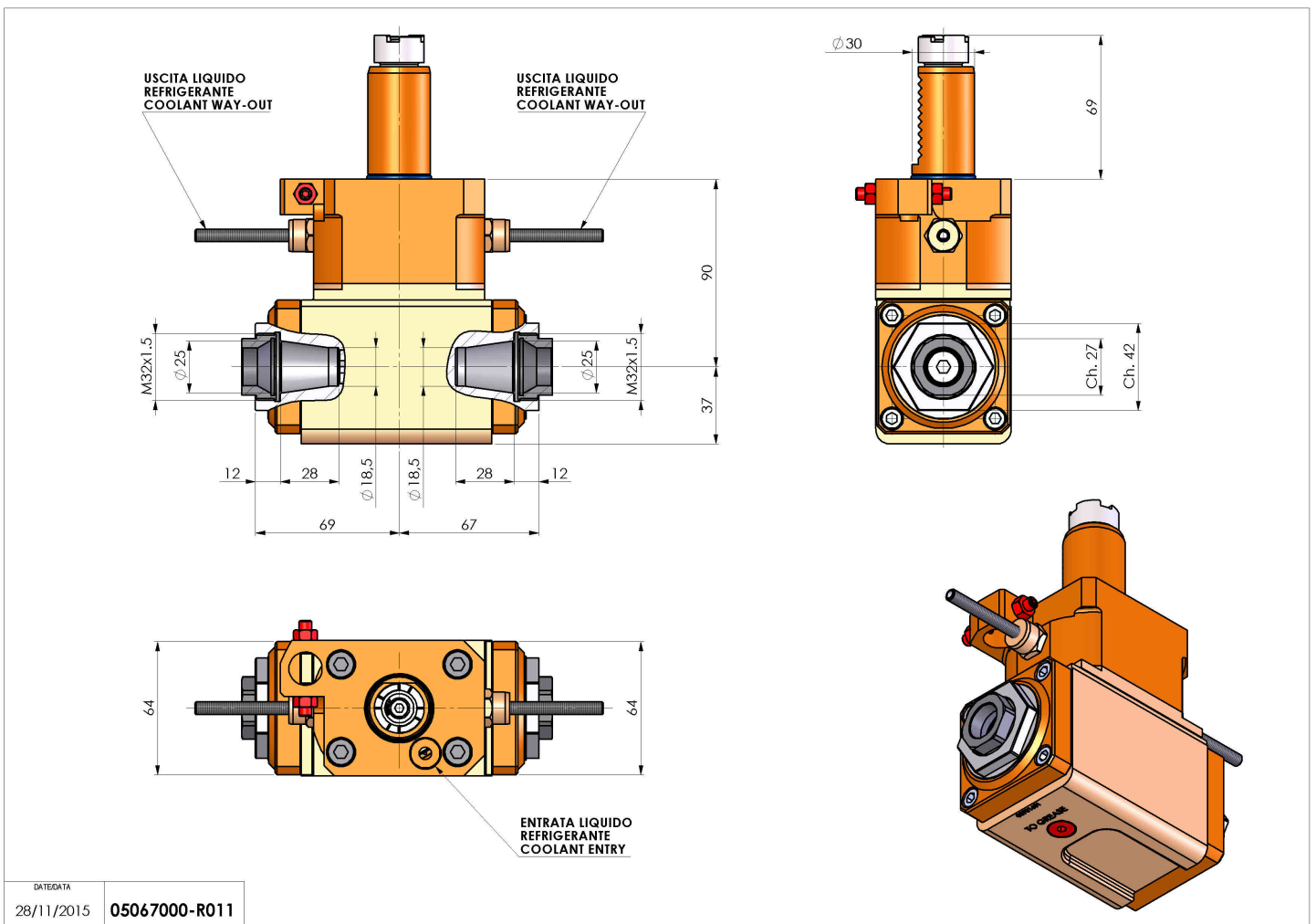
05067000 - LT-A VDI30 ER25F-25F L H90 OK

| | |
|-----------------------|--|
| Type | LT-A DBL Tool holder double angle 90° |
| Mounting | VDI 30 |
| Tool output | Collet nut ER 25 F - internal nut |
| Coolant | External coolant |
| Direction of rotation | r1 ↻ r2 ↻ r3 ↻ |
| Max speed [rpm] | 6000 |
| Max torque [Nm] | 40 |
| Ratio | 1:1 |
| H [mm] | 90 |
| H1 [mm] | 37 |
| Accessories | N.A. |
| Notes | N.A. |
| Mounting tips | Main spindle only |



ATTENTION: CHECK THE ORIENTATION OF THE VDI TEETH

Always check live tool dimensions on the turret



| | |
|------------|---------------|
| DATE/GRA | 05067000-R011 |
| 28/11/2015 | |

Subject to technical changes