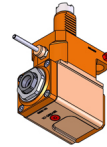


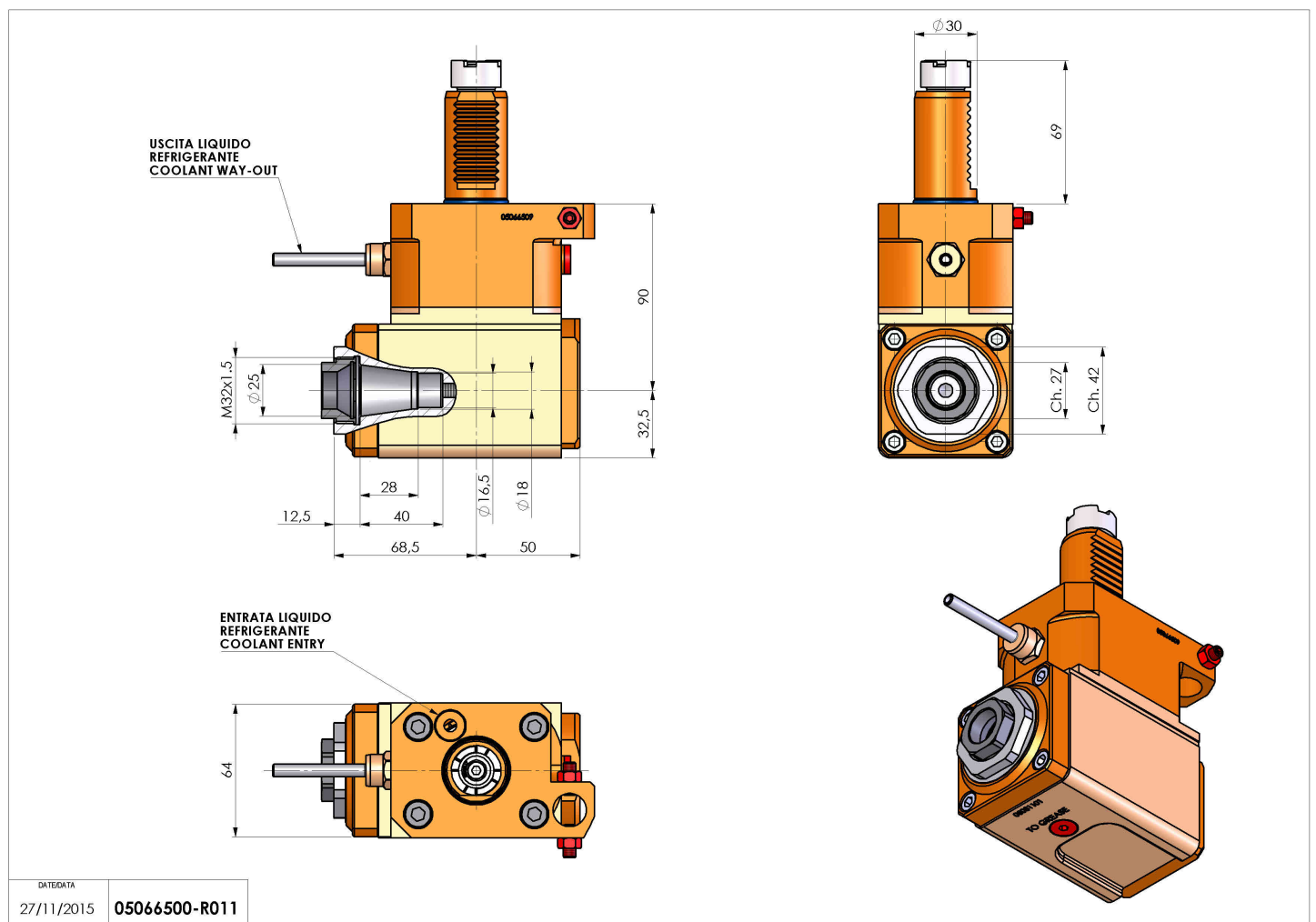
# 05066500 - LT-A VDI30 ER25F R H90 OK

|                       |                                   |
|-----------------------|-----------------------------------|
| Type                  | LT-A<br>Tool holder angle 90°     |
| Mounting              | VDI 30                            |
| Tool output           | Collet nut ER 25 F - internal nut |
| Coolant               | External coolant                  |
| Direction of rotation | r1 ↻ r2 ↻                         |
| Max speed [rpm]       | 6000                              |
| Max torque [Nm]       | 40                                |
| Ratio                 | 1:1                               |
| H [mm]                | 90                                |
| H1 [mm]               | 32,5                              |
| Accessories           | N.A.                              |
| Notes                 | N.A.                              |
| Mounting tips         | Secondary spindle only            |



**ATTENTION: CHECK THE ORIENTATION OF THE VDI TEETH**

Always check live tool dimensions on the turret



Subject to technical changes