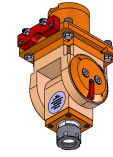
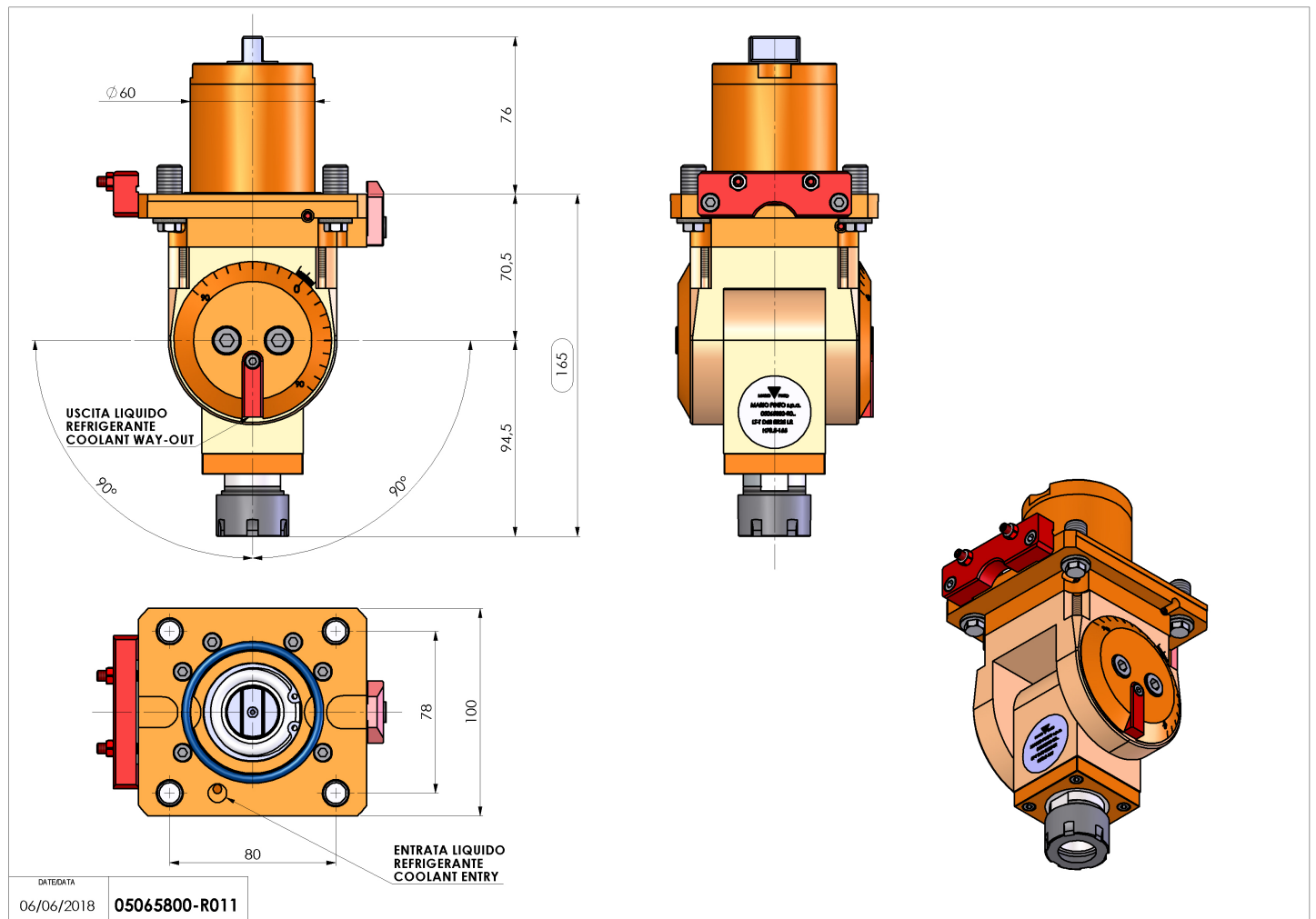


05065800 - LT-T D60 ER25 LR H70.5-165 OK

Type	LT-T Tool holder tiltable
Mounting	CYLINDRICAL SHANK 60
Tool output	Collet nut ER 25
Coolant	External coolant
Direction of rotation	r1 r2
Max speed [rpm]	3000
Max torque [Nm]	20
Ratio	1:1
H [mm]	70,5-165
Accessories	N.A.
Notes	N.A.
Mounting tips	N.A.



Always check live tool dimensions on the turret



Subject to technical changes

DATE/ORA
06/06/2018 05065800-R011