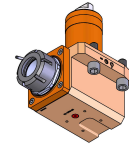
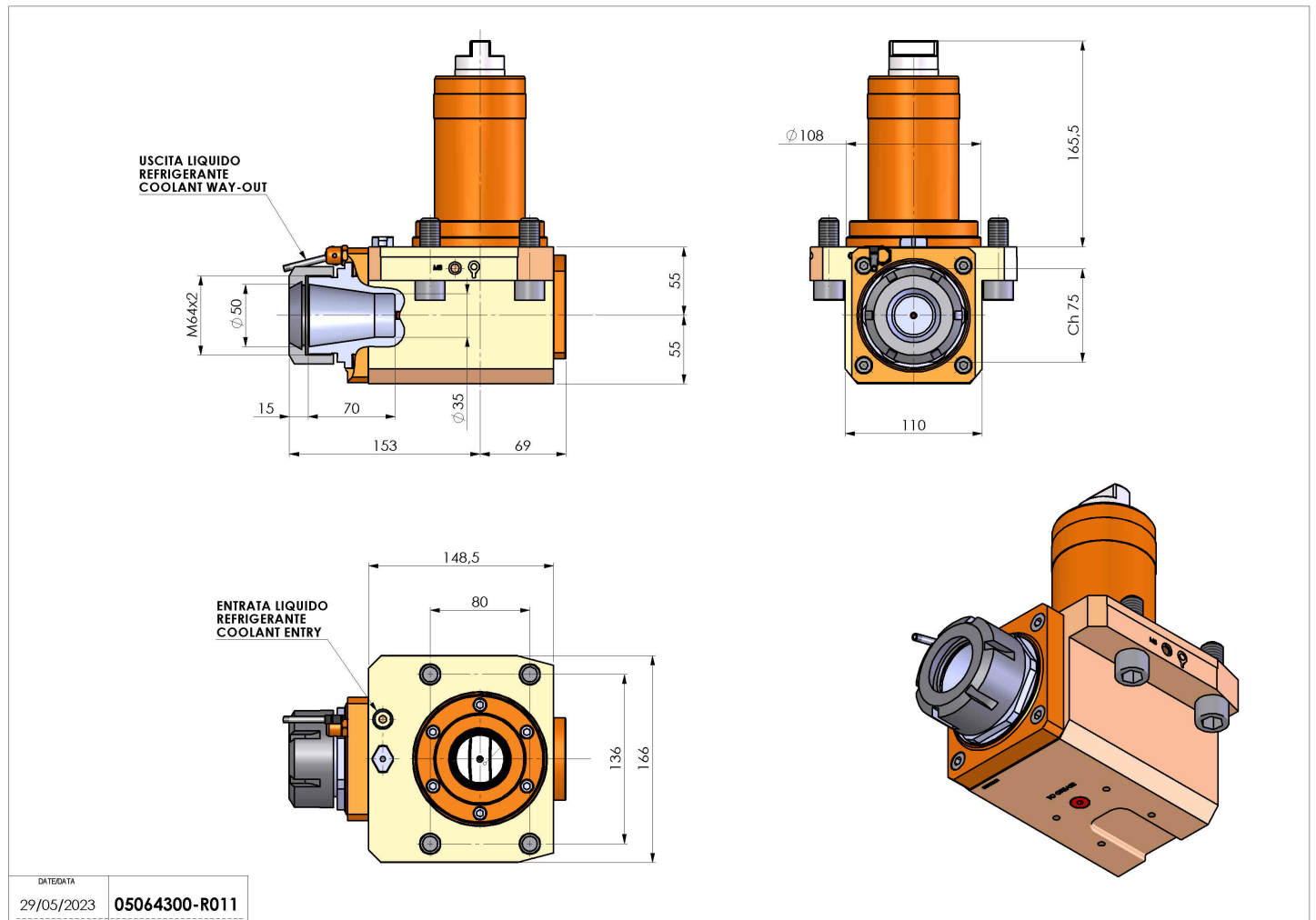


05064300 - LT-A D108 ER50 H55

Type	LT-A Tool holder angle 90°
Mounting	CYLINDRICAL SHANK 108
Tool output	Collet nut ER 50
Coolant	External coolant
Direction of rotation	r1 r2
Max speed [rpm]	3000
Max torque [Nm]	50
Ratio	1:1
H [mm]	55
H1 [mm]	55
Accessories	N.A.
Notes	N.A.
Mounting tips	N.A.



Always check live tool dimensions on the turret



DATE/DATE	05064300-R011
29/05/2023	

Subject to technical changes