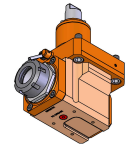
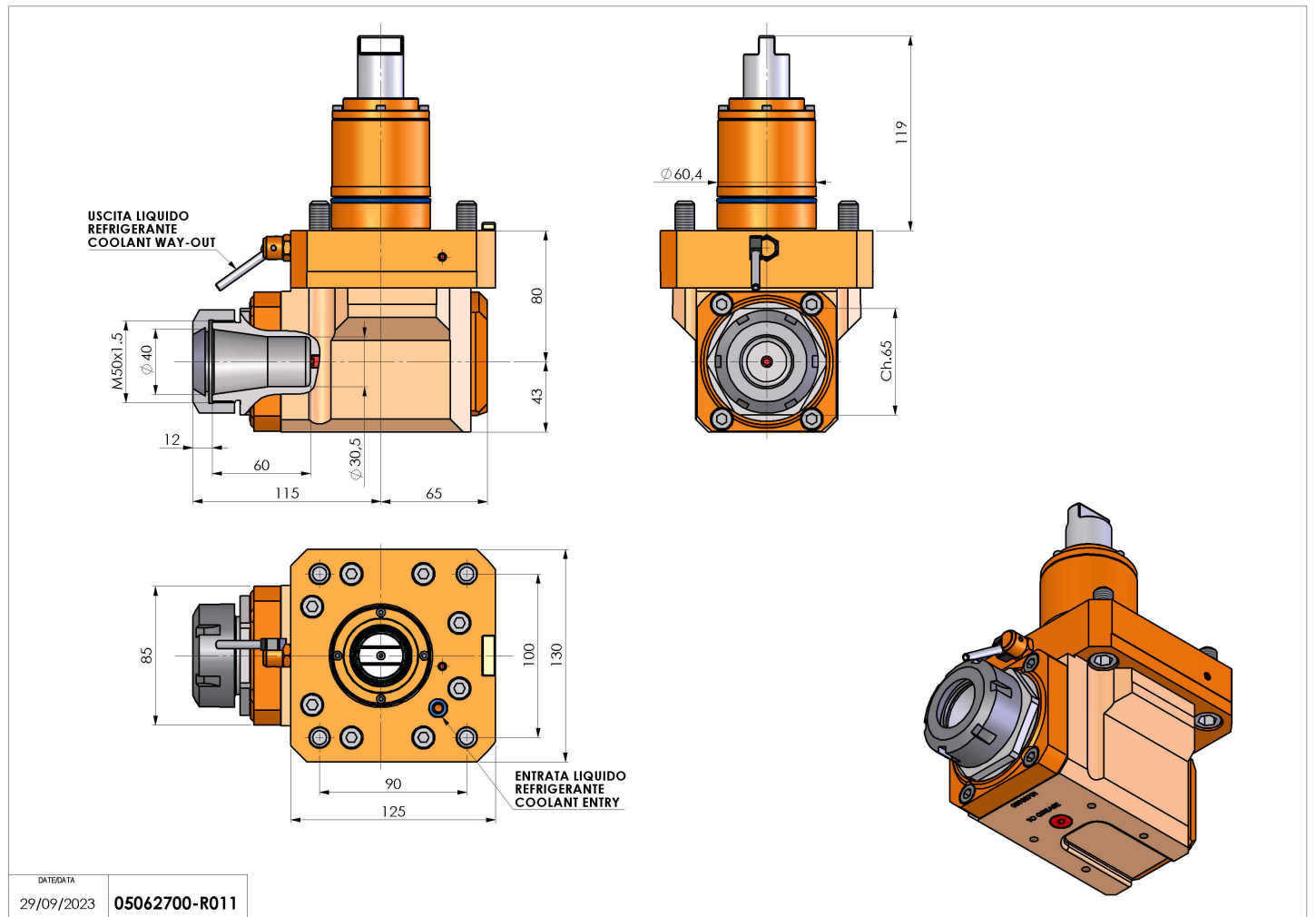


05062700 - LT-A D60.4 ER40 H80

Type	LT-A Tool holder angle 90°
Mounting	CYLINDRICAL SHANK 60.4
Tool output	Collet nut ER 40
Coolant	External coolant
Direction of rotation	r1 ↻ r2 ↻
Max speed [rpm]	6000
Max torque [Nm]	85
Ratio	1:1
H [mm]	80
H1 [mm]	43
Accessories	N.A.
Notes	N.A.
Mounting tips	N.A.



Always check live tool dimensions on the turret



DATE/DATE
29/09/2023 05062700-R011

Subject to technical changes