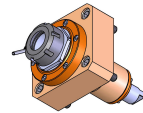
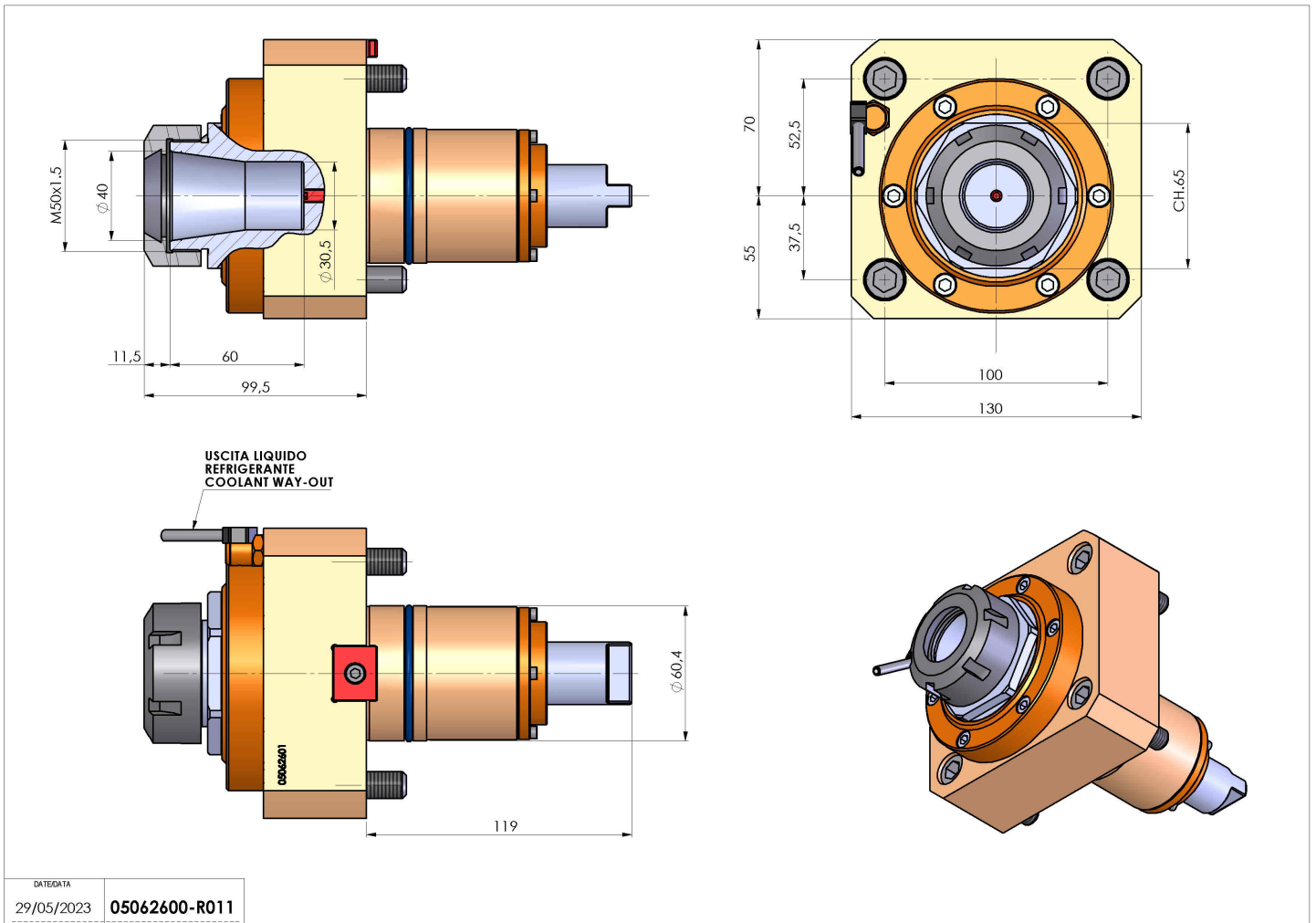


05062600 - LT-S D60.4 ER40 H100

Type	LT-S Tool holder straight
Mounting	CYLINDRICAL SHANK 60.4
Tool output	Collet nut ER 40
Coolant	External coolant
Direction of rotation	r1 ↻ r2 ↻
Max speed [rpm]	6000
Max torque [Nm]	85
Ratio	1:1
H [mm]	100
Accessories	N.A.
Notes	N.A.
Mounting tips	N.A.



Always check live tool dimensions on the turret



DATE/DATE	05062600-R011
29/05/2023	

Subject to technical changes