

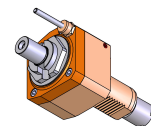


05062000 - LT-S VDI40 DIN138-22 H74 OKUMA

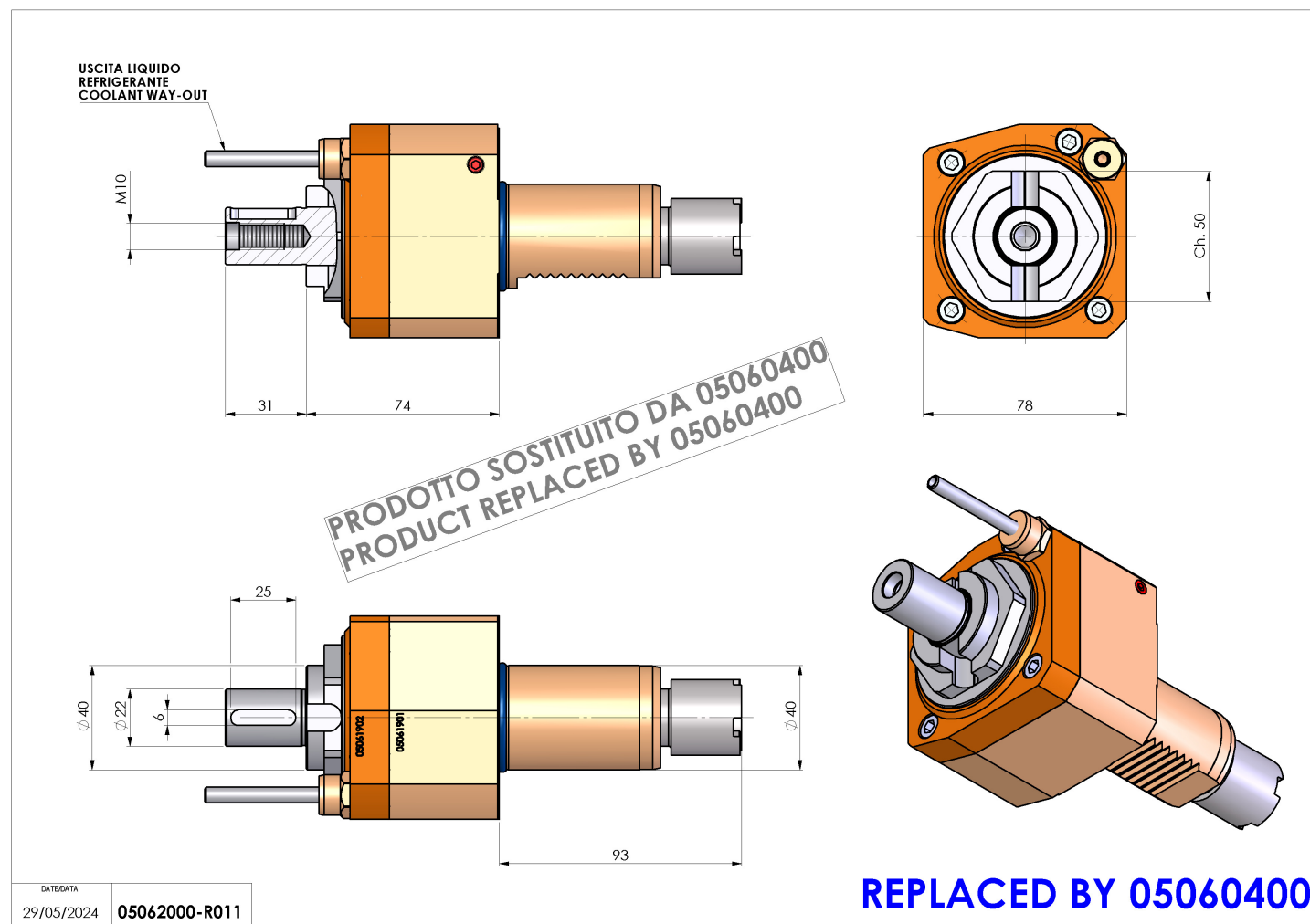
Type	LT-S Tool holder straight
Mounting	VDI 40
Tool output	Shell-Mill DIN138 22
Coolant	External coolant
Direction of rotation	r1  r2 
Max speed [rpm]	6000
Max torque [Nm]	63
Ratio	1:1
H [mm]	74
Accessories	
Notes	Soon out of stock. Replaced by cod. 05060400
Mounting tips	N.A.



REPLACED BY 05060400

ATTENTION: CHECK THE ORIENTATION OF THE VDI TEETH

Always check live tool dimensions on the turret



REPLACED BY 05060400

Subject to technical changes

DATE/DATE	05062000-R011
29/05/2024	