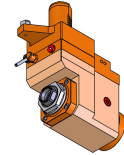


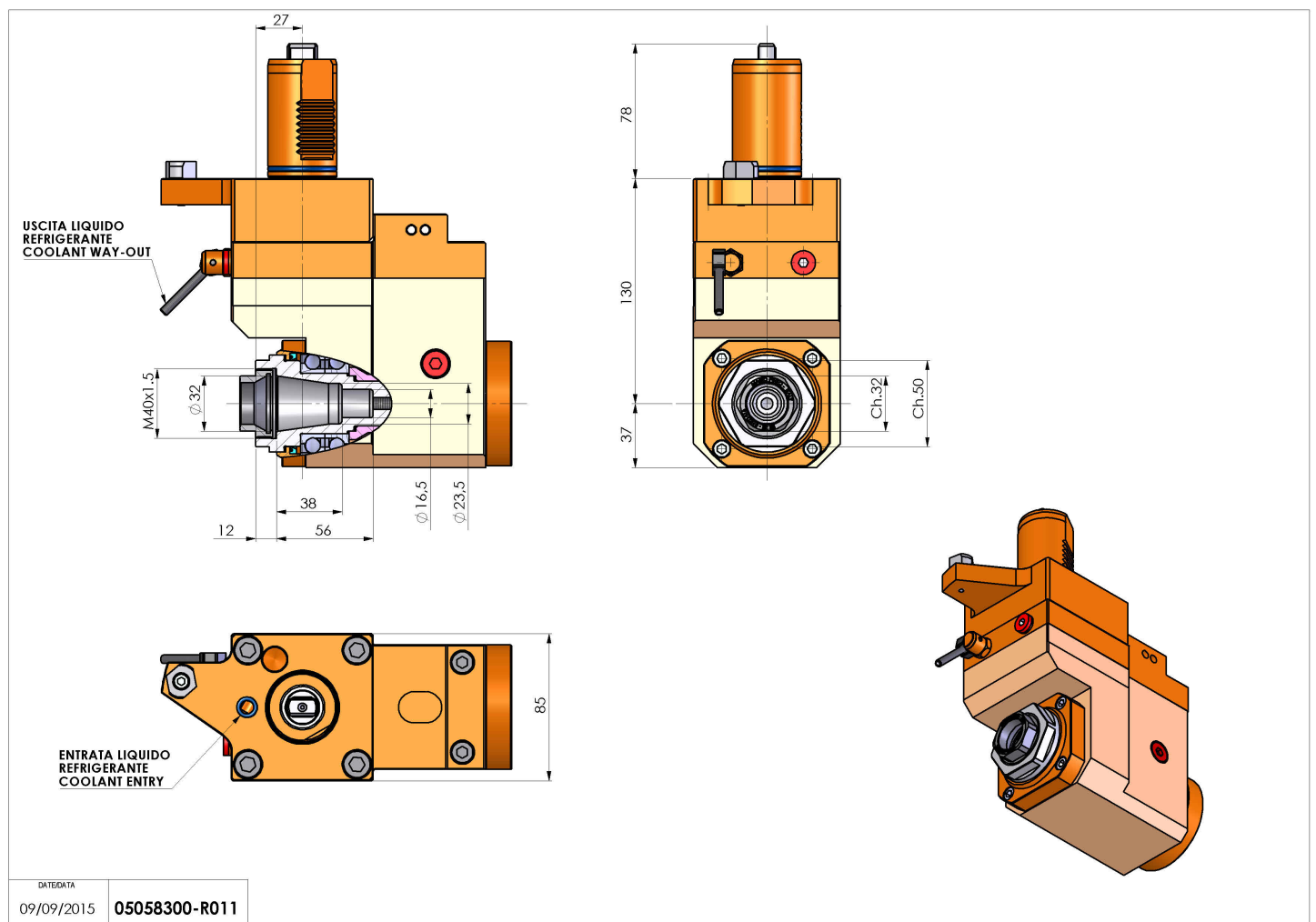
# 05058300 - LT-A VDI40 ER32F R OFS H130 MZ

Type	LT-A OFS Tool holder offset angle 90°
Mounting	VDI 40
Tool output	Collet nut ER 32 F - internal nut
Coolant	External coolant
Direction of rotation	r1 ↻ r2 ↻
Max speed [rpm]	6000
Max torque [Nm]	63
Ratio	1:1
H [mm]	130
H1 [mm]	37
Accessories	N.A.
Notes	N.A.
Mounting tips	Secondary spindle only



**ATTENTION: CHECK THE ORIENTATION OF THE VDI TEETH**

Always check live tool dimensions on the turret



DATE/DATE	09/09/2015	05058300-R011
-----------	------------	---------------

Subject to technical changes