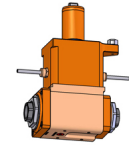


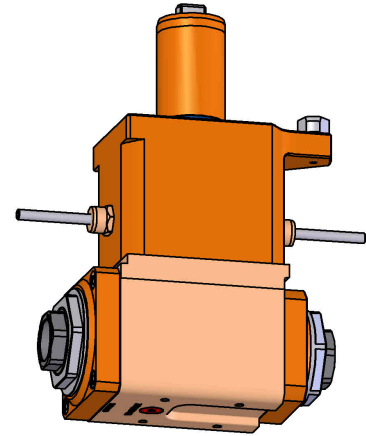
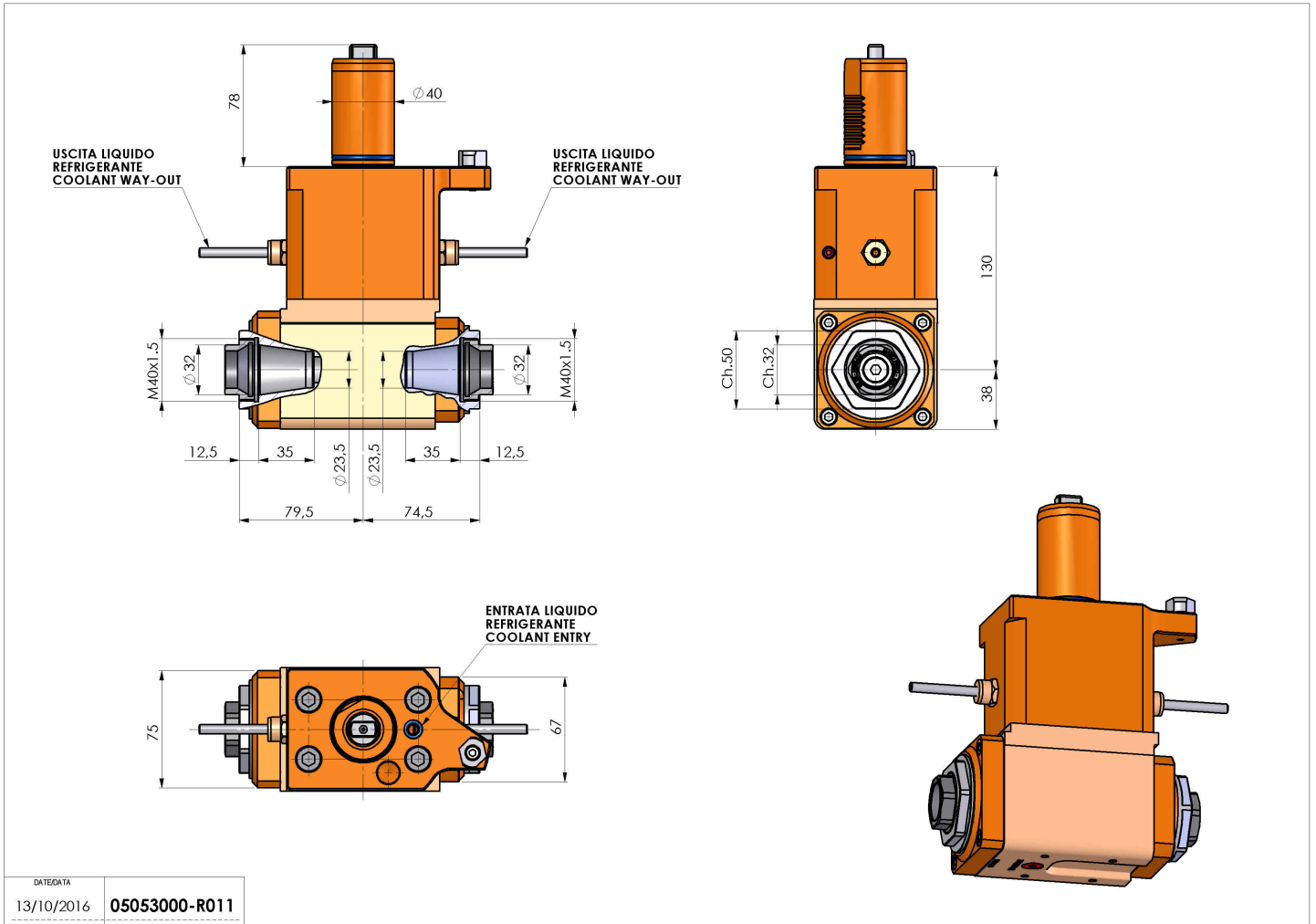
# 05053000 - LT-A VDI40 ER32F-32F L H130 MZ

Type	LT-A DBL Tool holder double angle 90°
Mounting	VDI 40
Tool output	Collet nut ER 32 F - internal nut
Coolant	External coolant
Direction of rotation	r1 ↻ r2 ↻ r3 ↻
Max speed [rpm]	6000
Max torque [Nm]	63
Ratio	1:1
H [mm]	130
H1 [mm]	38
Accessories	N.A.
Notes	N.A.
Mounting tips	N.A.



**ATTENTION: CHECK THE ORIENTATION OF THE VDI TEETH**

Always check live tool dimensions on the turret



DATE/GATE	13/10/2016	05053000-R011
-----------	------------	---------------

Subject to technical changes