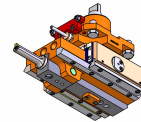
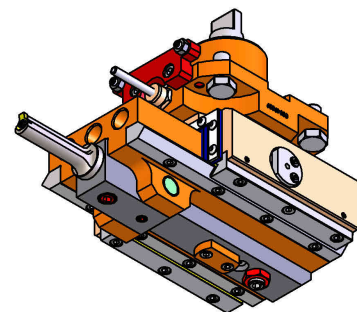
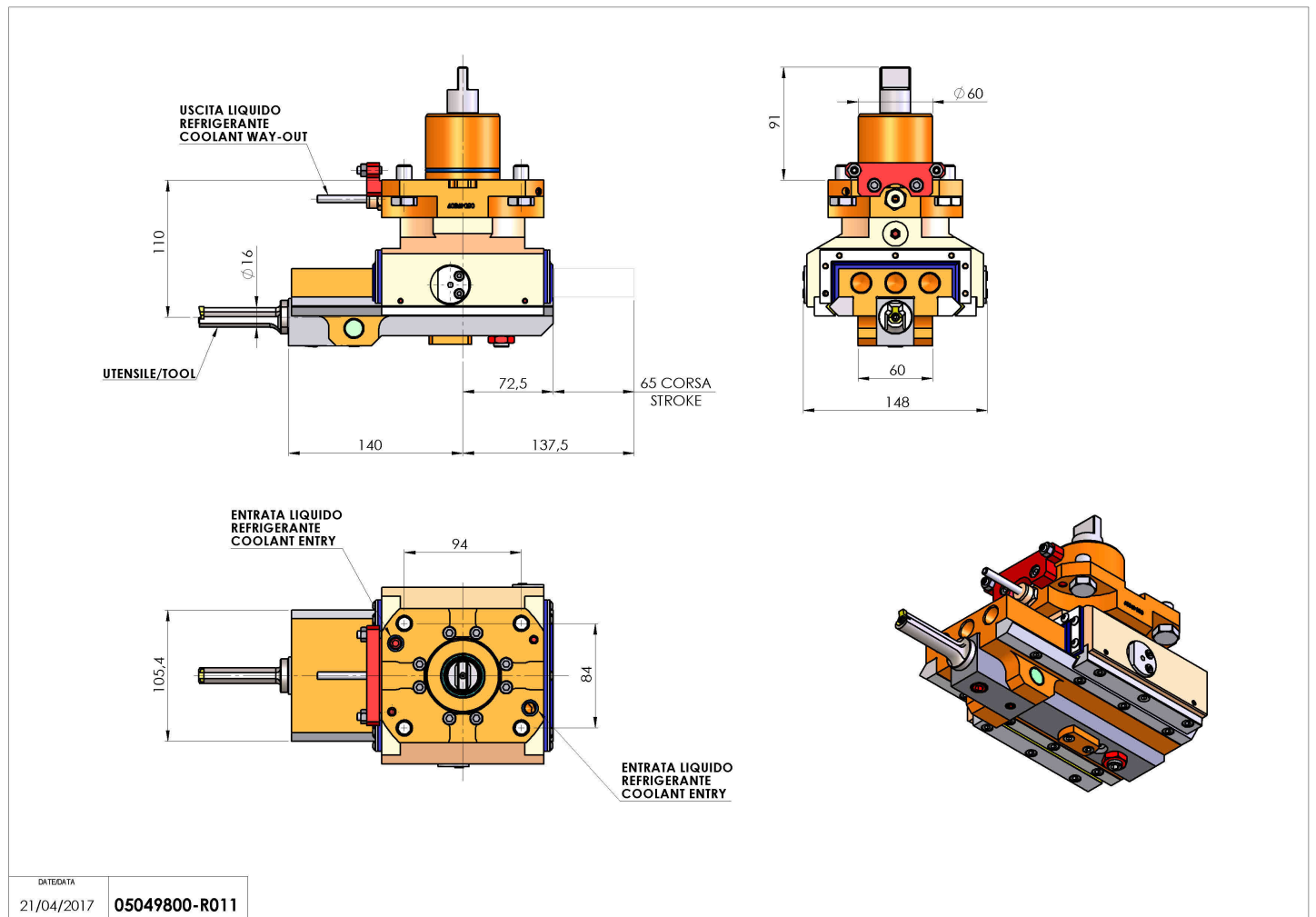


05049800 - LT-A ST65 D60 C16 H110 MS

Type	LT-A ST Slotting tool 90°
Mounting	CYLINDRICAL SHANK 60
Tool output	Tool diameter 16
Coolant	External coolant
Max speed [rpm]	500
Max torque [Nm]	17,5
Ratio	1:1
Y axis adjustment	NO
Feed pushing [N]	1000
Stroke [mm]	65
Work stroke [mm]	60
H [mm]	110
Accessories	N.A.
Notes	N.A.
Mounting tips	N.A.



Always check live tool dimensions on the turret



DATE/DATE
21/04/2017 05049800-R011

Subject to technical changes