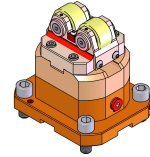
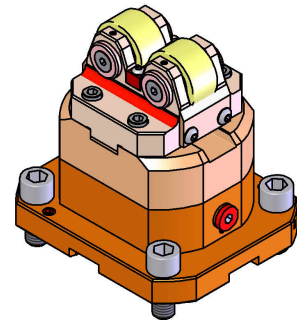
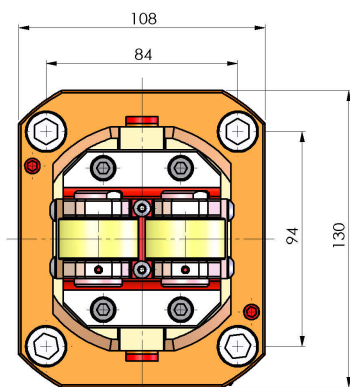
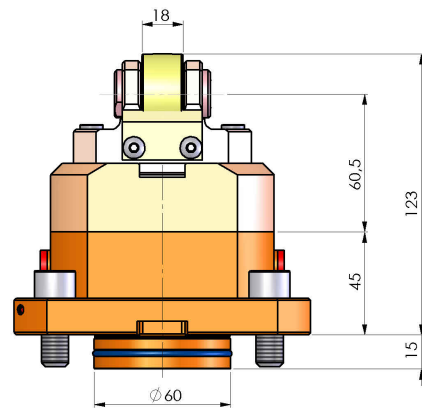
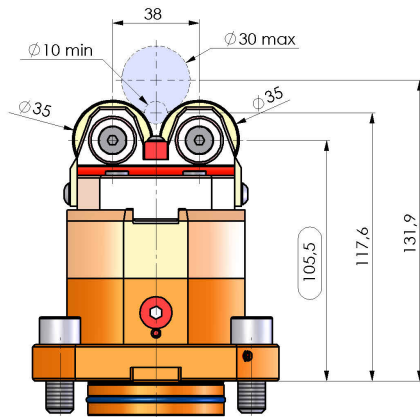


05049400 - SUPP ALB AX D10-30 D60 MS

Type	SHAFT SUPPORT Shaft support
Mounting	CYLINDRICAL SHANK 60
Tool output	Shaft support $\varnothing 10\text{-}\varnothing 30$
Coolant	N.A.
H [mm]	105,5
\varnothing Min [mm]	10
\varnothing Max [mm]	30
Accessories	N.A.
Notes	N.A.
Mounting tips	Lower turret



Always check live tool dimensions on the turret



DATE DATA
01/10/2015 05049400-R011

Subject to technical changes