

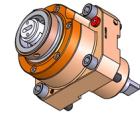
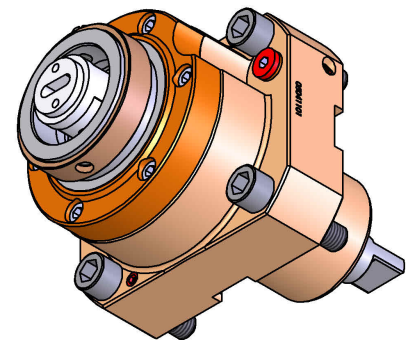
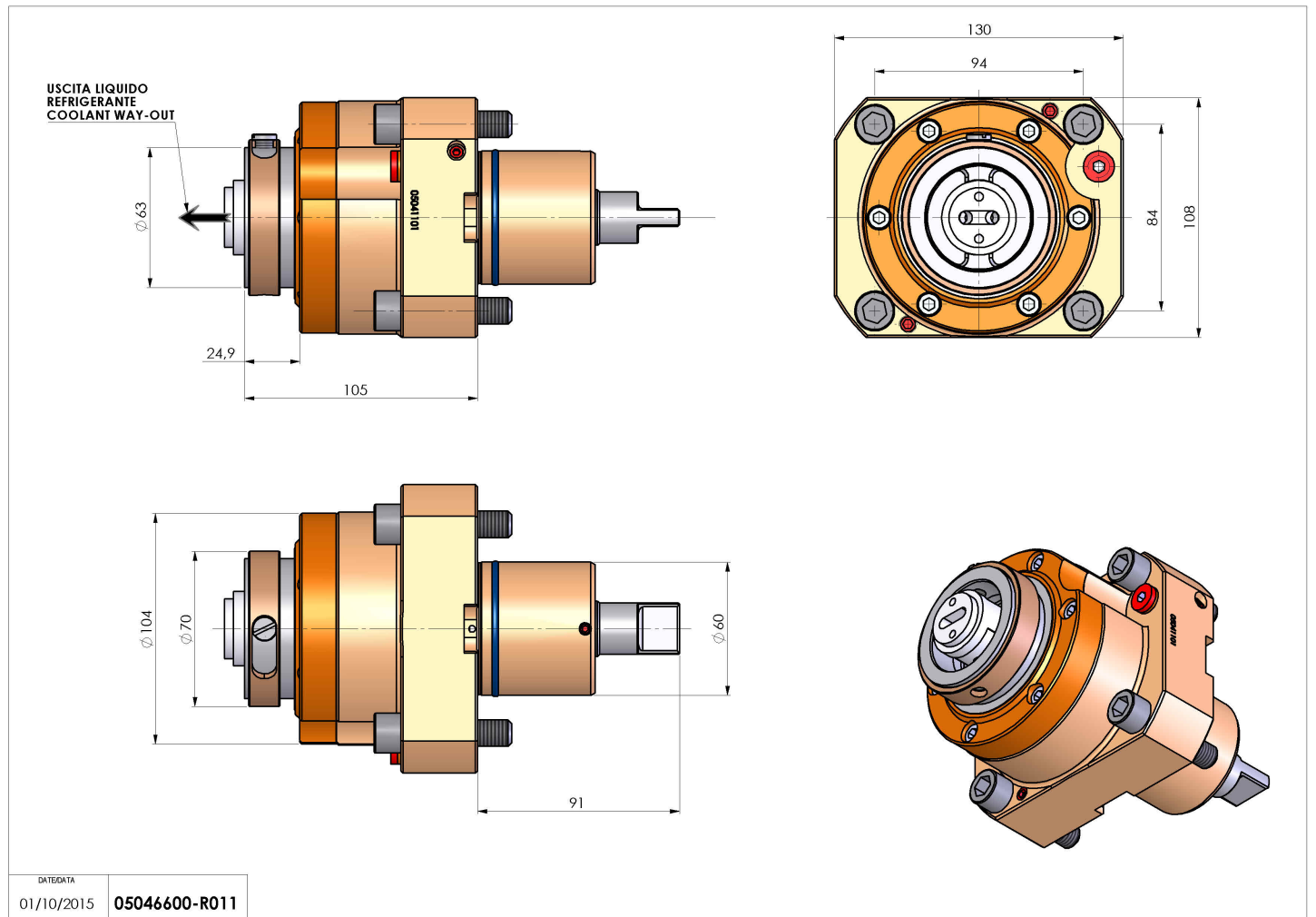


05046600 - LT-S D60 HSK63 RF H105

Type	LT-S Tool holder straight
Mounting	CYLINDRICAL SHANK 60
Tool output	Quick Change HSK63
Coolant	Internal coolant
Direction of rotation	r1  r2 
Max speed [rpm]	6000
Max torque [Nm]	63
Ratio	1:1
H [mm]	105
Max pressure [bar]	20
Accessories	
Notes	N.A.
Mounting tips	N.A.



Always check live tool dimensions on the turret



Subject to technical changes

DATE/DATE
01/10/2015 05046600-R011