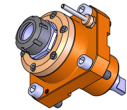
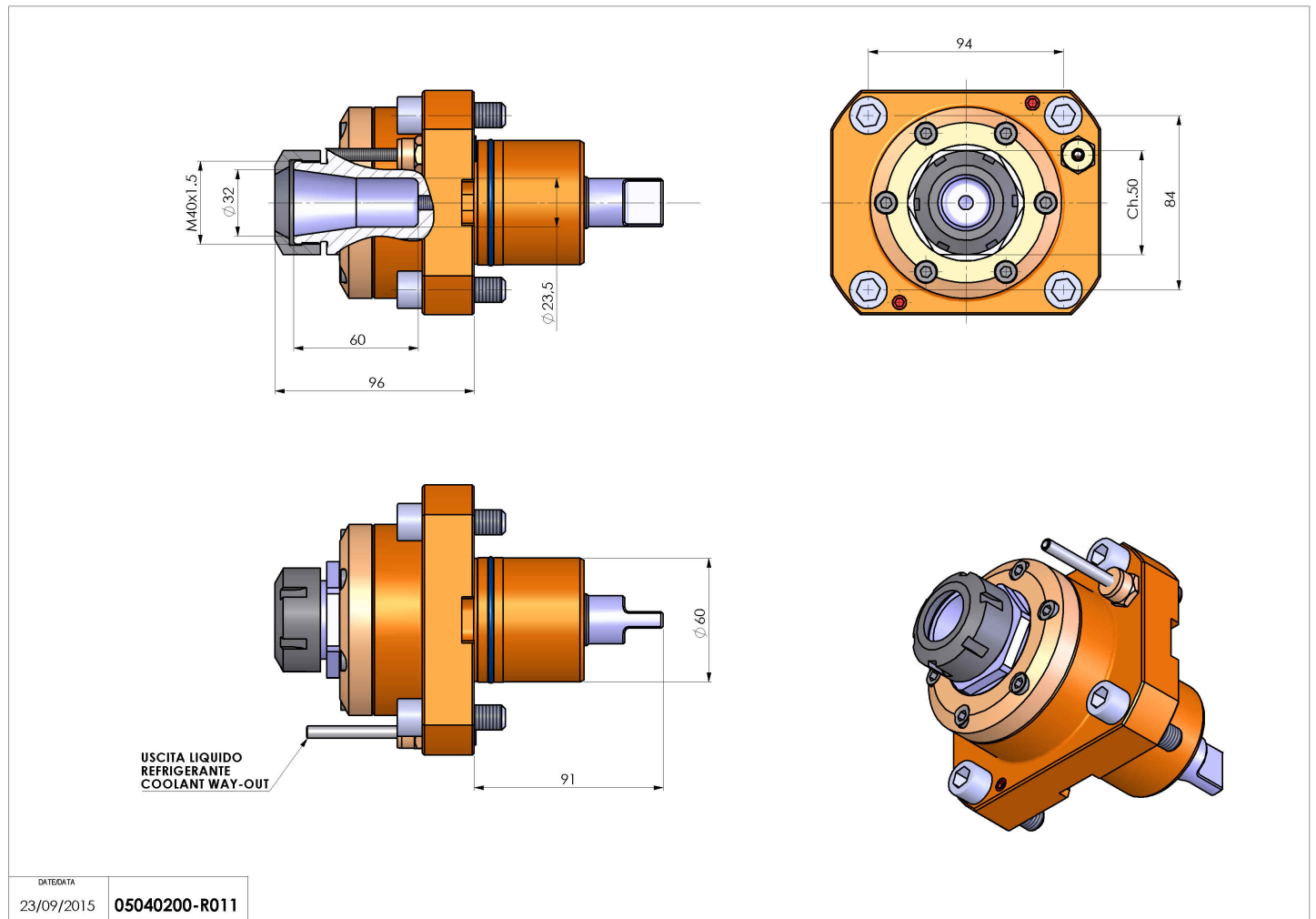


## 05040200 - LT-S D60 ER32 HS H96

<b>Type</b>	LT-S Tool holder straight
<b>Mounting</b>	CYLINDRICAL SHANK 60
<b>Tool output</b>	Collet nut ER 32
<b>Coolant</b>	External coolant
<b>Offset [mm]</b>	65
<b>Direction of rotation</b>	r1  r2
<b>Max speed [rpm]</b>	10000
<b>Max torque [Nm]</b>	63
<b>Ratio</b>	1:1
<b>H [mm]</b>	96
<b>Accessories</b>	
<b>Notes</b>	N.A.
<b>Mounting tips</b>	N.A.



Always check live tool dimensions on the turret



DATE/DATE	23/09/2015	05040200-R011
-----------	------------	---------------

Subject to technical changes