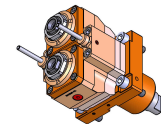
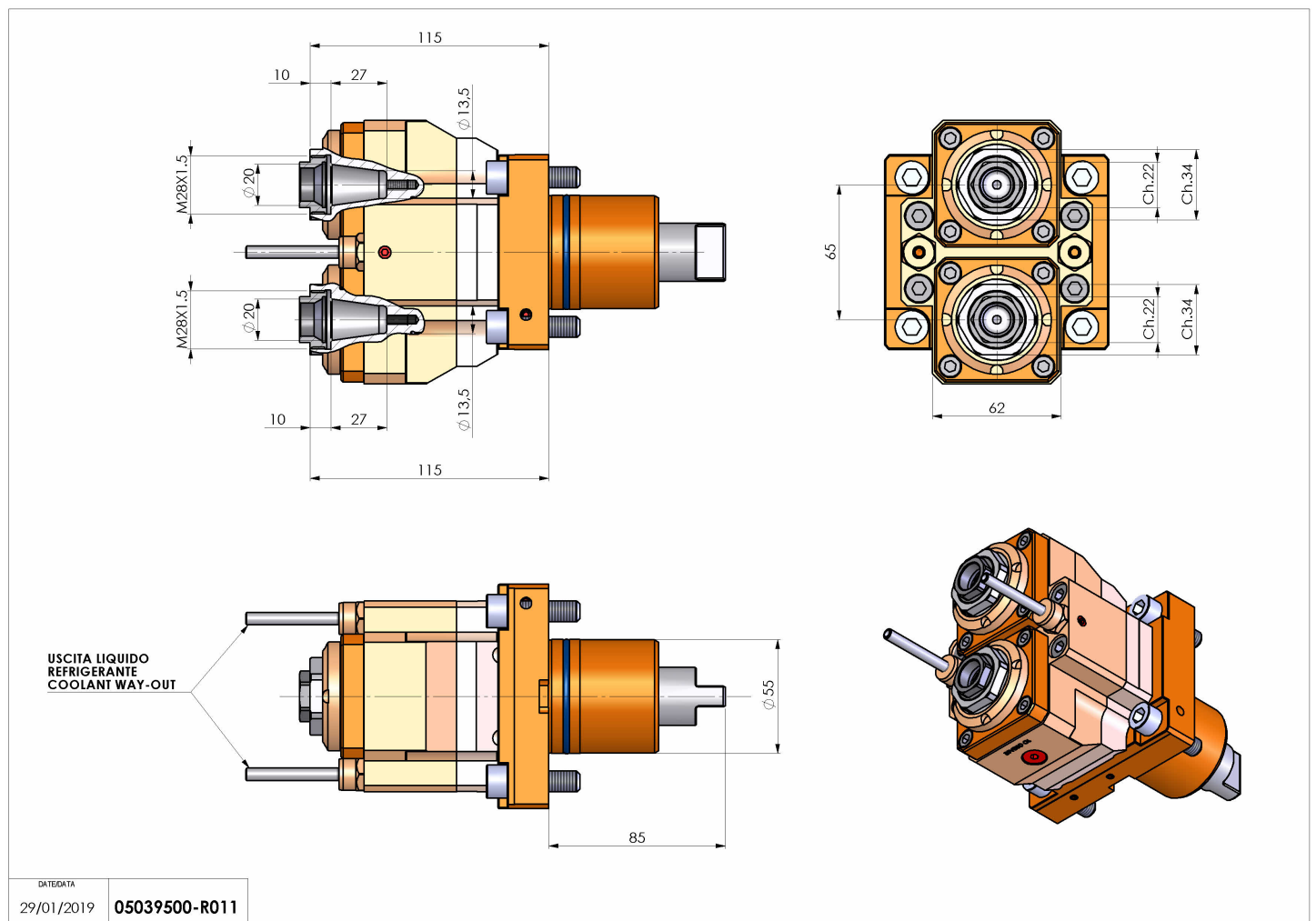


05039500 - LT-S2 D55 ER20F-20F 1:1 H115

Type	LT-S2 Tool holder double straight
Mounting	CYLINDRICAL SHANK 55
Tool output	Collet nut ER 20 F - internal nut
Coolant	External coolant
Direction of rotation	r1 ↻ r2 ↻ r3 ↻
Max speed [rpm]	6000
Max torque [Nm]	38
Ratio	1:1
H [mm]	115
Accessories	N.A.
Notes	N.A.
Mounting tips	N.A.



Always check live tool dimensions on the turret



DATE/DATA	05039500-R011
29/01/2019	

Subject to technical changes