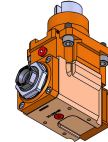
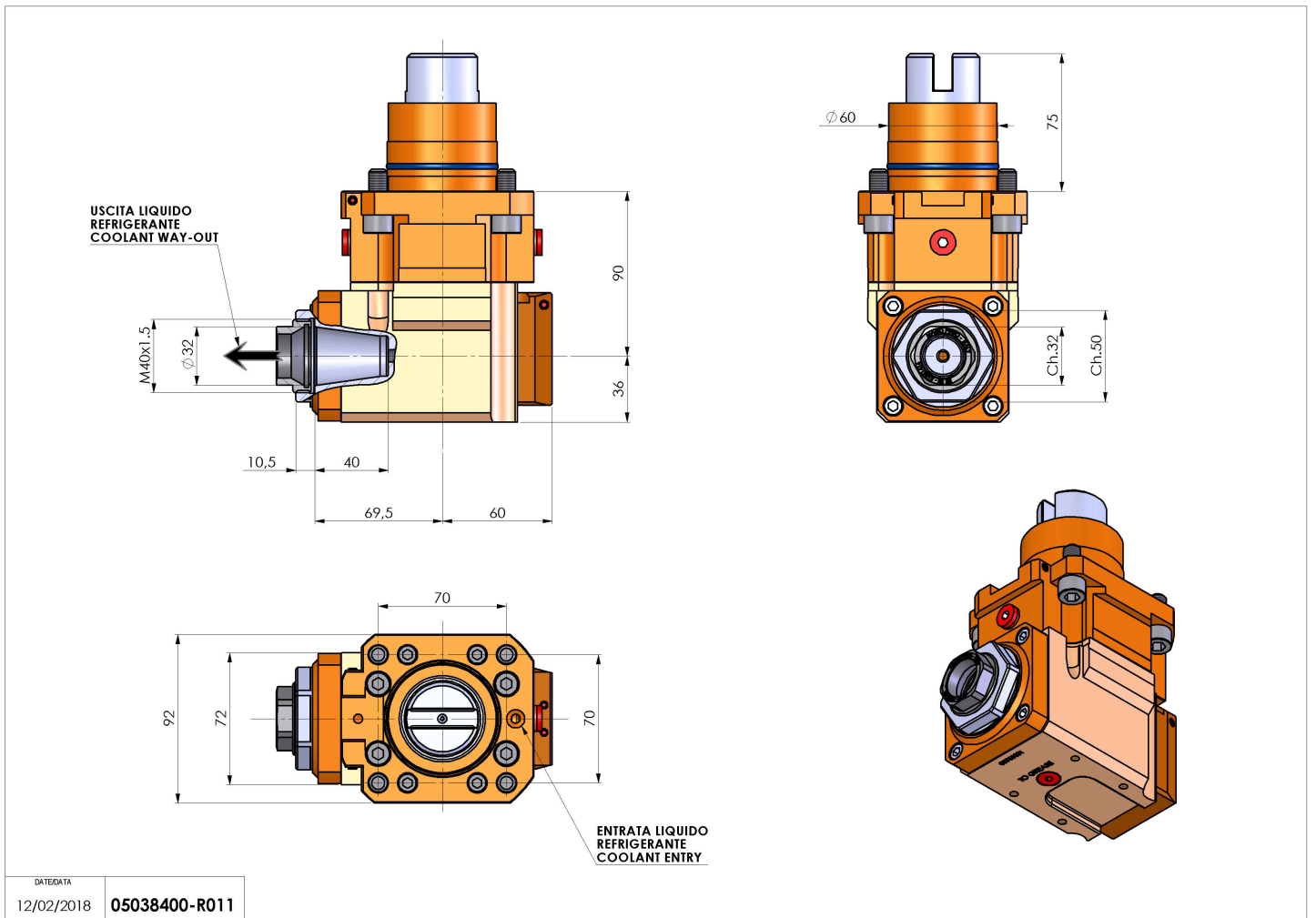


05038400 - LT-A D60 ER32F RF 2:1 H90

| | |
|------------------------------|-----------------------------------|
| Type | LT-A Tool holder angle 90° |
| Mounting | CYLINDRICAL SHANK 60 |
| Tool output | Collet nut ER 32 F - internal nut |
| Coolant | Internal coolant |
| Direction of rotation | r1 ↻ r2 ↻ |
| Max speed [rpm] | in 6000 / out 3000 |
| Max torque [Nm] | in 40 / out 80 |
| Ratio | 2:1 |
| H [mm] | 90 |
| H1 [mm] | 36 |
| Max pressure [bar] | 20 |
| Accessories | N.A. |
| Notes | N.A. |
| Mounting tips | N.A. |



Always check live tool dimensions on the turret



| | |
|------------|---------------|
| DATE/DATE | 05038400-R011 |
| 12/02/2018 | |

Subject to technical changes