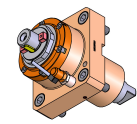
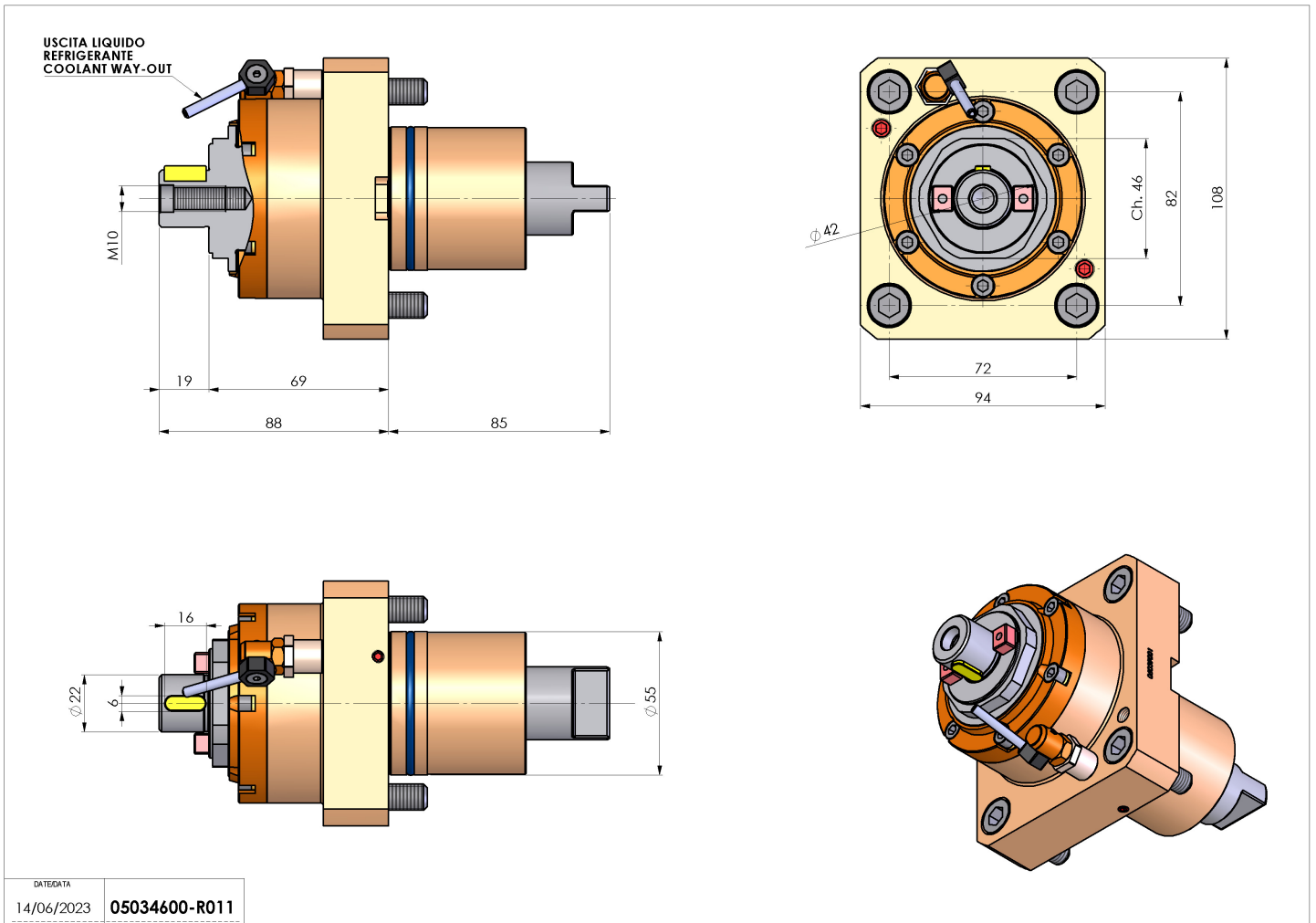


05034600 - LT-S D55 P-FRES D22 H69 SPEC

| | |
|------------------------------|------------------------------|
| Type | LT-S Tool holder straight |
| Mounting | CYLINDRICAL SHANK 55 |
| Tool output | Shell mill holder |
| Coolant | External coolant |
| Direction of rotation | r1 r2 |
| Max speed [rpm] | 6000 |
| Max torque [Nm] | 63 |
| Ratio | 1:1 |
| H [mm] | 69 |
| Accessories | N.A. |
| Notes | N.A. |
| Mounting tips | N.A. |



Always check live tool dimensions on the turret



Subject to technical changes