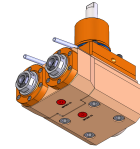
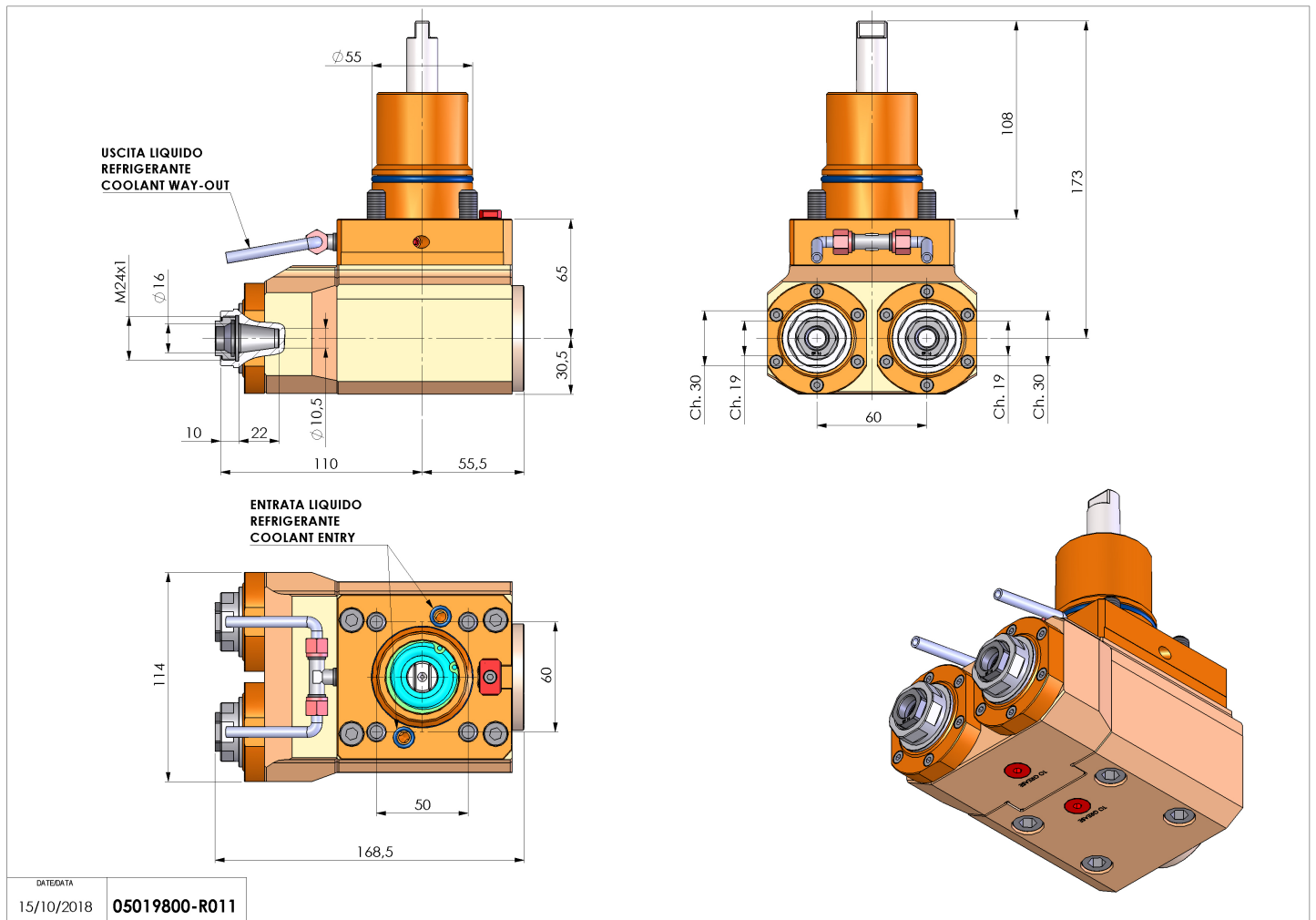


05019800 - LT-A2H D55 ER16F H65

Type	LT-A2 H Tool holder angle 90° double horizontal
Mounting	CYLINDRICAL SHANK 55
Tool output	Collet nut ER 16 F - internal nut
Coolant	External coolant
Direction of rotation	r1 ↻ r2 ↻
Max speed [rpm]	6000
Max torque [Nm]	25
Ratio	1:1
H [mm]	65
H1 [mm]	30.5
Accessories	N.A.
Notes	N.A.
Mounting tips	N.A.



Always check live tool dimensions on the turret



DATE DATA	15/10/2018	05019800-R011
-----------	------------	---------------

Subject to technical changes