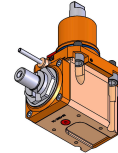
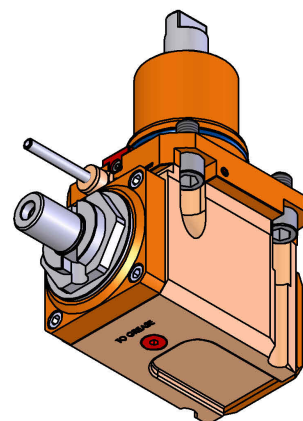
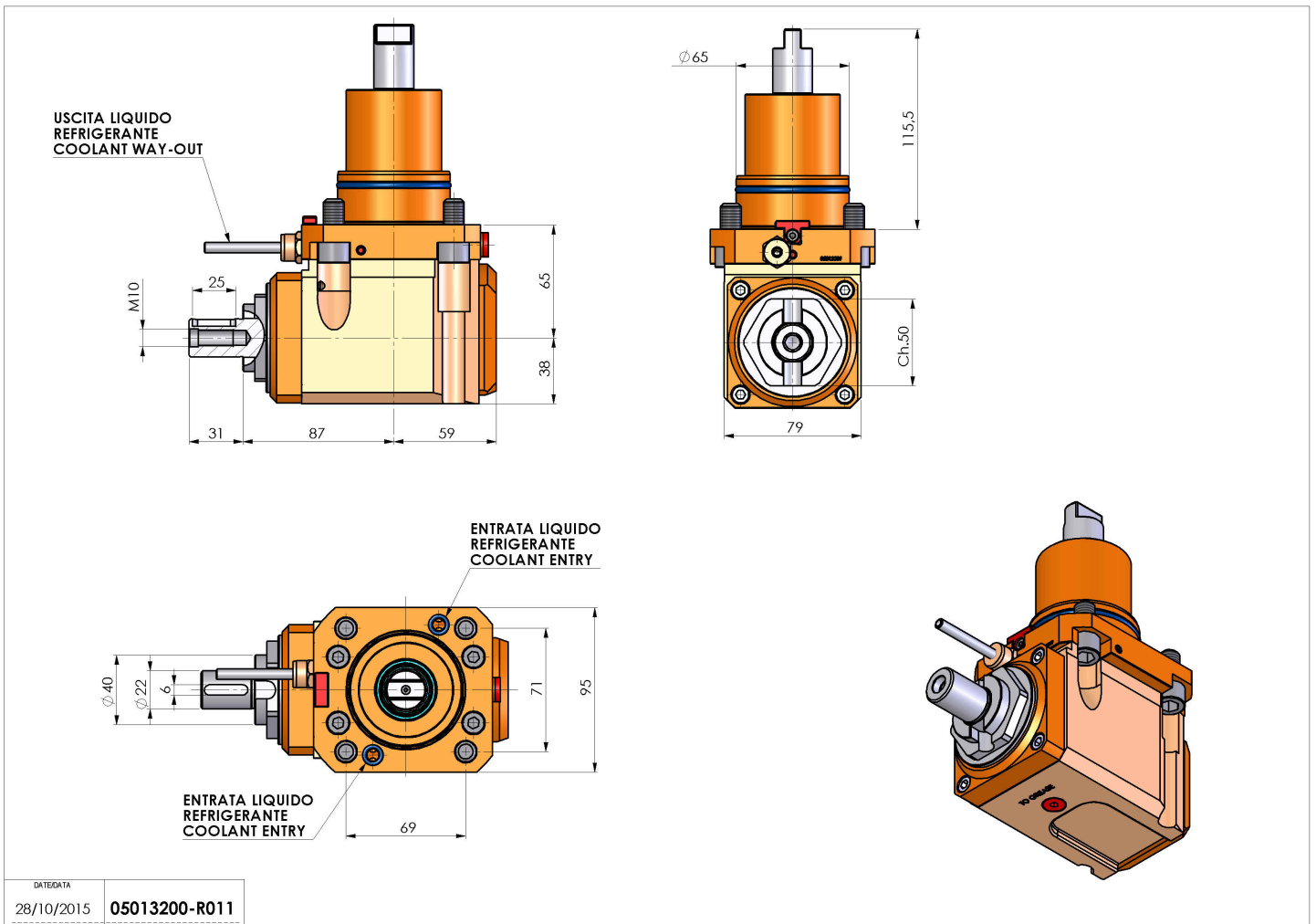


05013200 - LT-A D65 DIN138-22 LR H65 NK

Type	LT-A Tool holder angle 90°
Mounting	CYLINDRICAL SHANK 65
Tool output	Shell-Mill DIN138 22
Coolant	External coolant
Direction of rotation	r1 ↻ r2 ↻
Max speed [rpm]	6000
Max torque [Nm]	63
Ratio	1:1
H [mm]	65
H1 [mm]	38
Accessories	N.A.
Notes	N.A.
Mounting tips	N.A.



Always check live tool dimensions on the turret



Subject to technical changes

DATE/DATE	05013200-R011
28/10/2015	