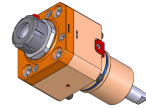
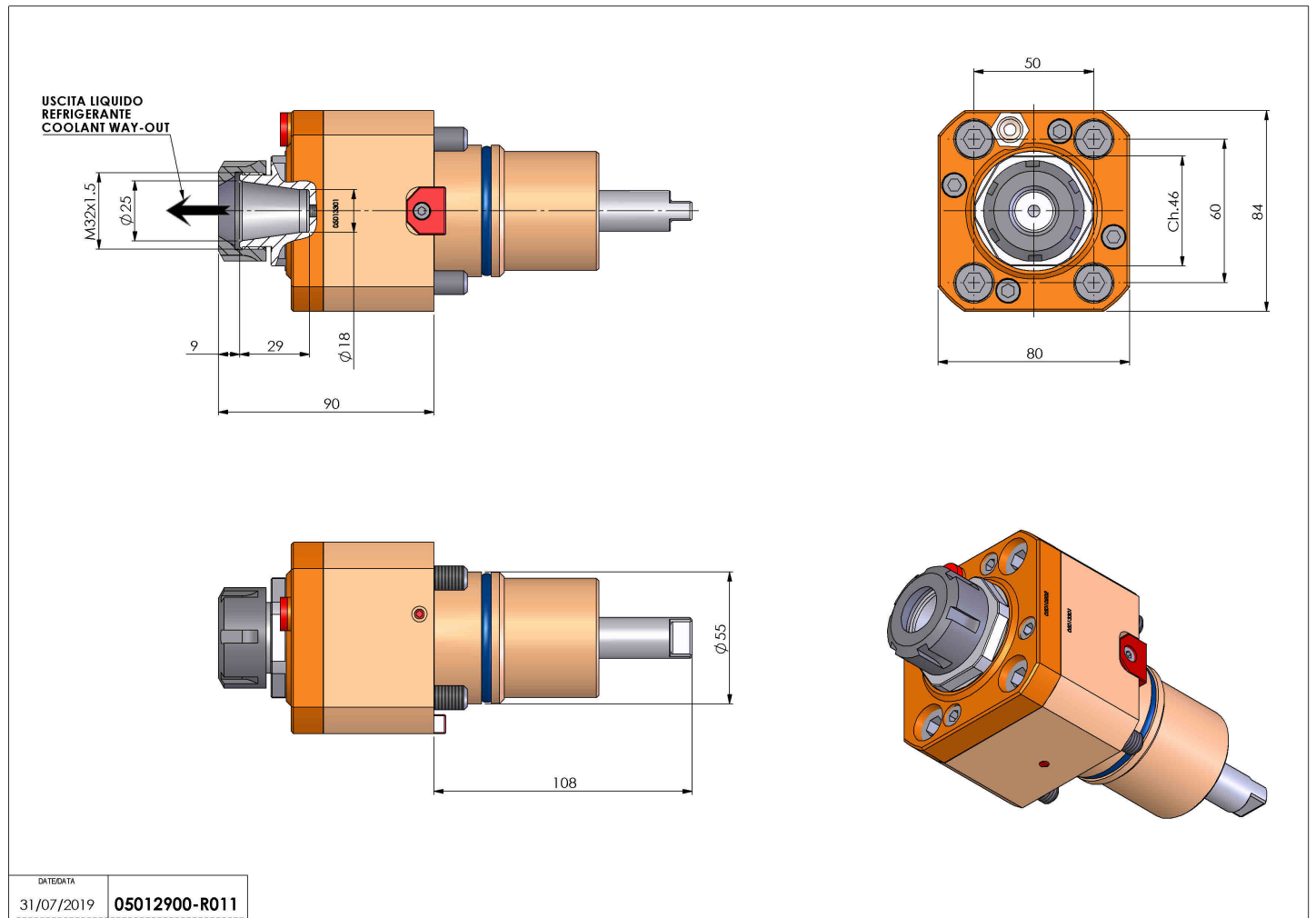


05012900 - LT-S D55 ER25 HRF HS H90

| | |
|------------------------------|-------------------------------|
| Type | LT-S Tool holder straight |
| Mounting | CYLINDRICAL SHANK 55 |
| Tool output | Collet nut ER 25 |
| Coolant | HRF Internal/external coolant |
| Direction of rotation | r1 ↻ r2 ↻ |
| Max speed [rpm] | 10000 |
| Max torque [Nm] | 40 |
| Ratio | 1:1 |
| H [mm] | 90 |
| Max pressure [bar] | 70 |
| Accessories | N.A. |
| Notes | N.A. |
| Mounting tips | N.A. |



Always check live tool dimensions on the turret



Subject to technical changes