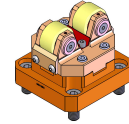
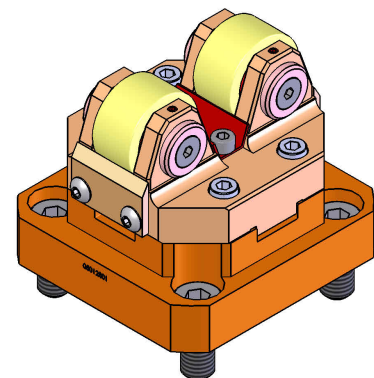
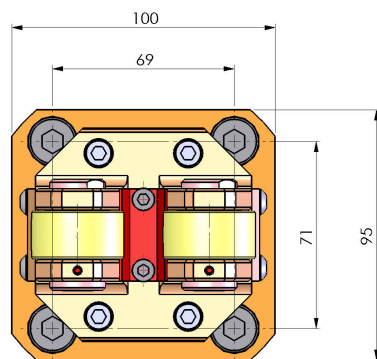
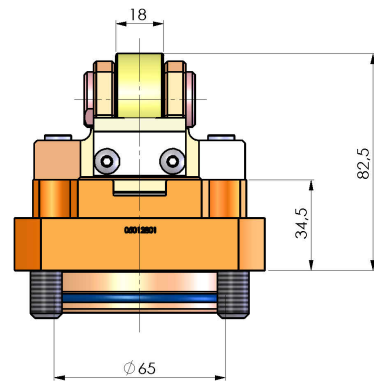
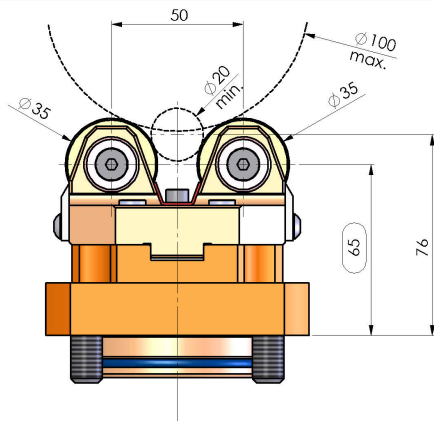


05012800 - SUPP ALB AX D20-100 D65 H65

Type	SHAFT SUPPORT Shaft support
Mounting	CYLINDRICAL SHANK 65
Tool output	Shaft support Ø20-Ø100
Coolant	N.A.
H [mm]	65
Ø Min [mm]	20
Ø Max [mm]	100
Accessories	N.A.
Notes	N.A.
Mounting tips	N.A.



Always check live tool dimensions on the turret



DATE/DATE
03/05/2021 05012800-R011

Subject to technical changes