

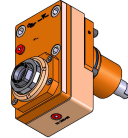
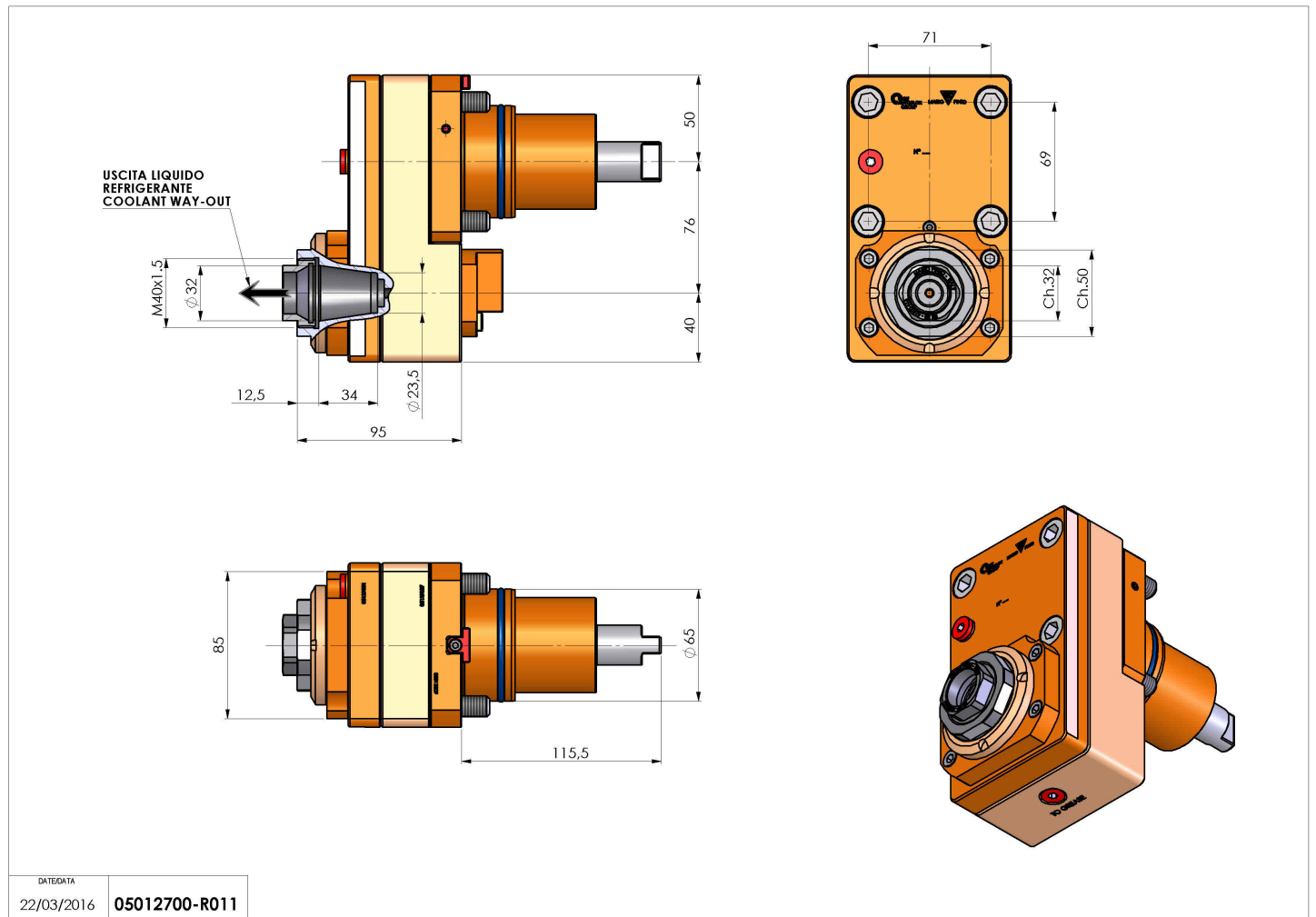


05012700 - LT-S D65 ER32F OF76 HRF H95 NK

| | |
|------------------------------|---|
| Type | LT-S OFS Tool holder straight offset |
| Mounting | CYLINDRICAL SHANK 65 |
| Tool output | Collet nut ER 32 F - internal nut |
| Coolant | HRF Internal coolant |
| Offset [mm] | 76 |
| Direction of rotation | r1  r2  |
| Max speed [rpm] | 6000 |
| Max torque [Nm] | 63 |
| Ratio | 1:1 |
| H [mm] | 95 |
| Max pressure [bar] | 80 |
| Accessories | N.A. |
| Notes | N.A. |
| Mounting tips | N.A. |



Always check live tool dimensions on the turret



| | |
|------------|---------------|
| DATE/DATA | 05012700-R011 |
| 22/03/2016 | |

Subject to technical changes