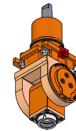
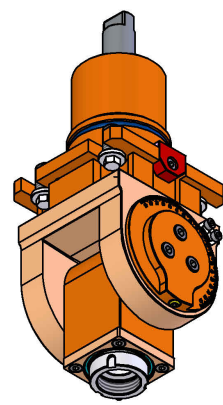
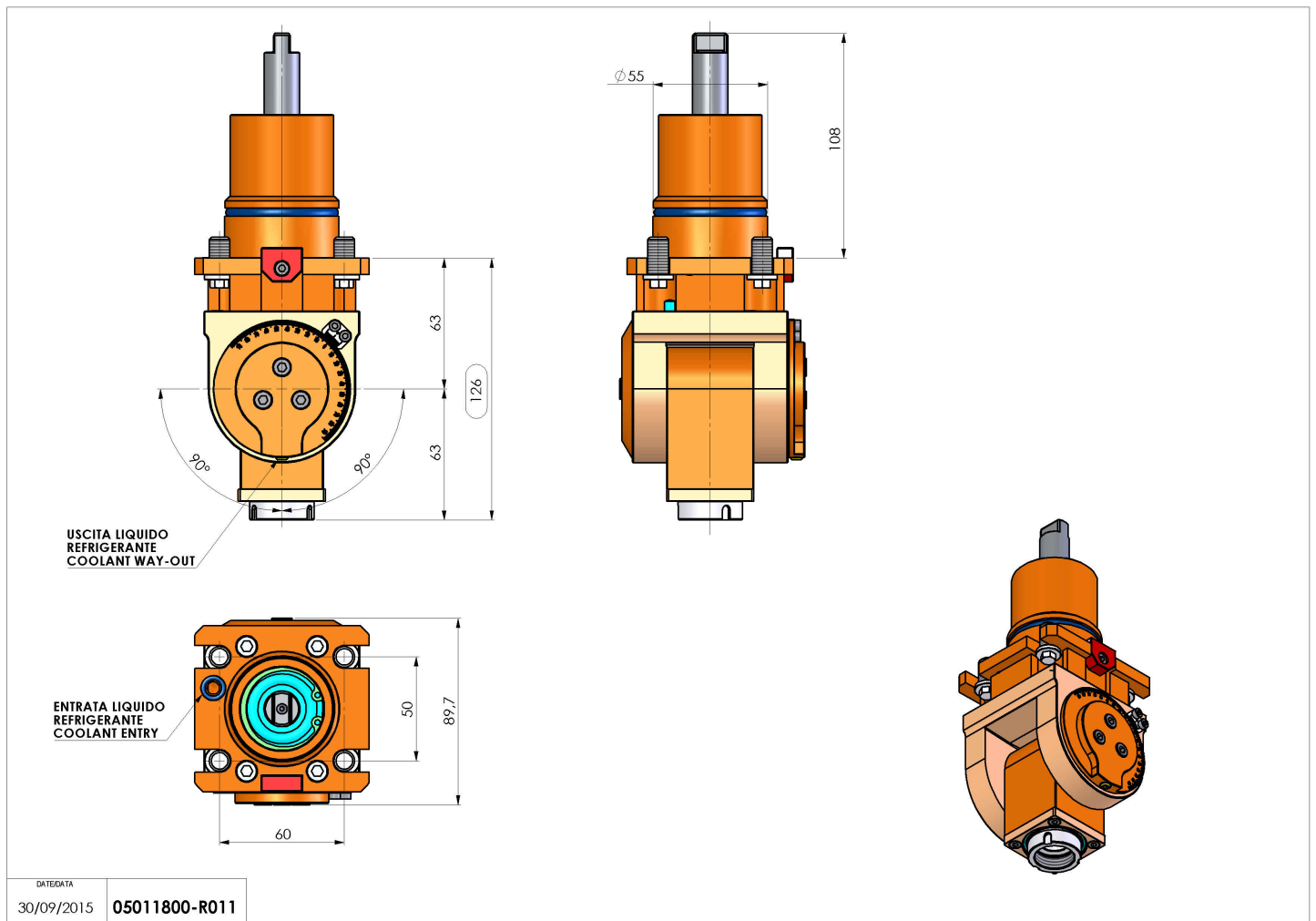


05011800 - LT-T D55 ER16F H63-129 NK

Type	LT-T Tool holder tiltable
Mounting	CYLINDRICAL SHANK 55
Tool output	Collet nut ER 16 F - internal nut
Coolant	External coolant
Direction of rotation	r1 ↻ r2 ↻
Max speed [rpm]	6000
Max torque [Nm]	13
Ratio	1:1
H [mm]	63-132
Accessories	N.A.
Notes	N.A.
Mounting tips	N.A.



Always check live tool dimensions on the turret



DATE/DATE 30/09/2015 05011800-R011

Subject to technical changes